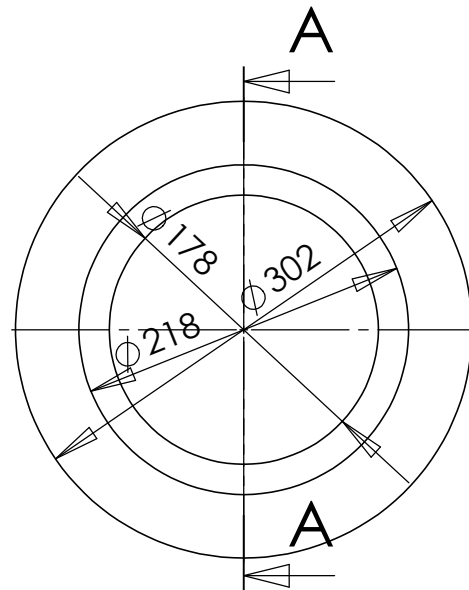
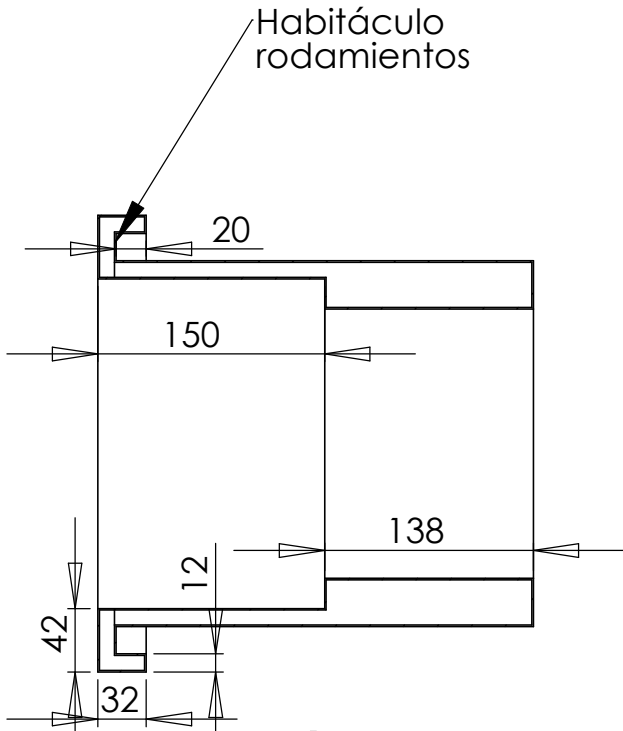
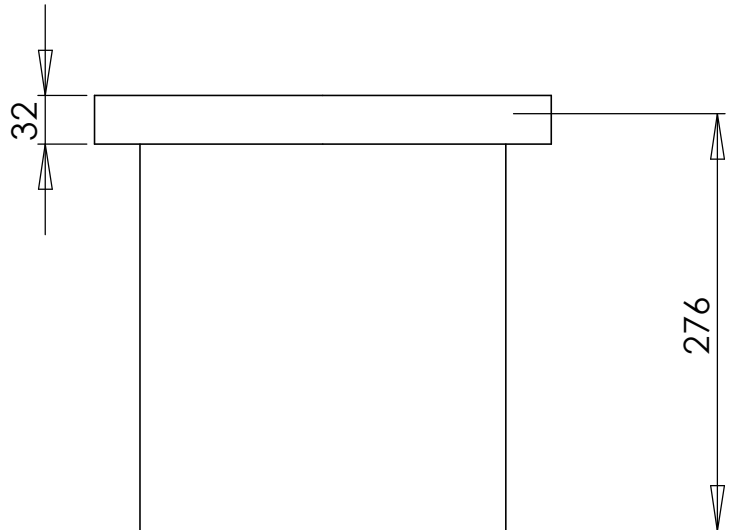


Habitáculos
rodamientos

SECCIÓN A-A ESCALA 1 : 5

		DIMENSIONS ARE IN INCHES		NAME	DATE	Buje superior eje
		TOLERANCES:		DRAWN		
		FRACTIONAL ±		CHECKED		
		ANGULAR: MACH ± BEND ±		ENG APPR.		
		TWO PLACE DECIMAL ±		MFG APPR.		
		THREE PLACE DECIMAL ±		Q.A.		eje helicoidal 1500
		MATERIAL		COMMENTS:		
NEXT ASSY	USED ON	FINISH				
APPLICATION		DO NOT SCALE DRAWING		SCALE: 1:10	WEIGHT:	REV.

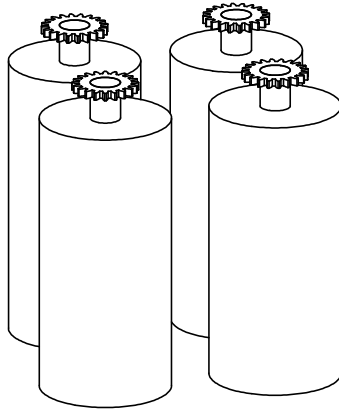
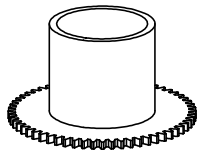
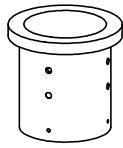
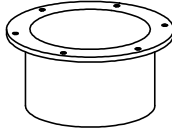
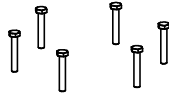
PROPRIETARY AND CONFIDENTIAL
THE INFORMATION CONTAINED IN THIS DRAWING IS THE SOLE PROPERTY OF <INSERT COMPANY NAME HERE>. ANY REPRODUCTION IN PART OR AS A WHOLE WITHOUT THE WRITTEN PERMISSION OF <INSERT COMPANY NAME HERE> IS PROHIBITED.



SECCIÓN A-A
ESCALA 1 : 5

		DIMENSIONS ARE IN INCHES		NAME	DATE
		TOLERANCES:		DRAWN	
		FRACTIONAL ±		CHECKED	
		ANGULAR: MACH ± BEND ±		ENG APPR.	
		TWO PLACE DECIMAL ±		MFG APPR.	
		THREE PLACE DECIMAL ±		Q.A.	
		MATERIAL		COMMENTS:	
NEXT ASSY	USED ON	FINISH			
APPLICATION		DO NOT SCALE DRAWING			
		SIZE	DWG. NO.	REV.	
		A	eje helicoidal 1500		
		SCALE:1:10	WEIGHT:	SHEET 28 OF 28	

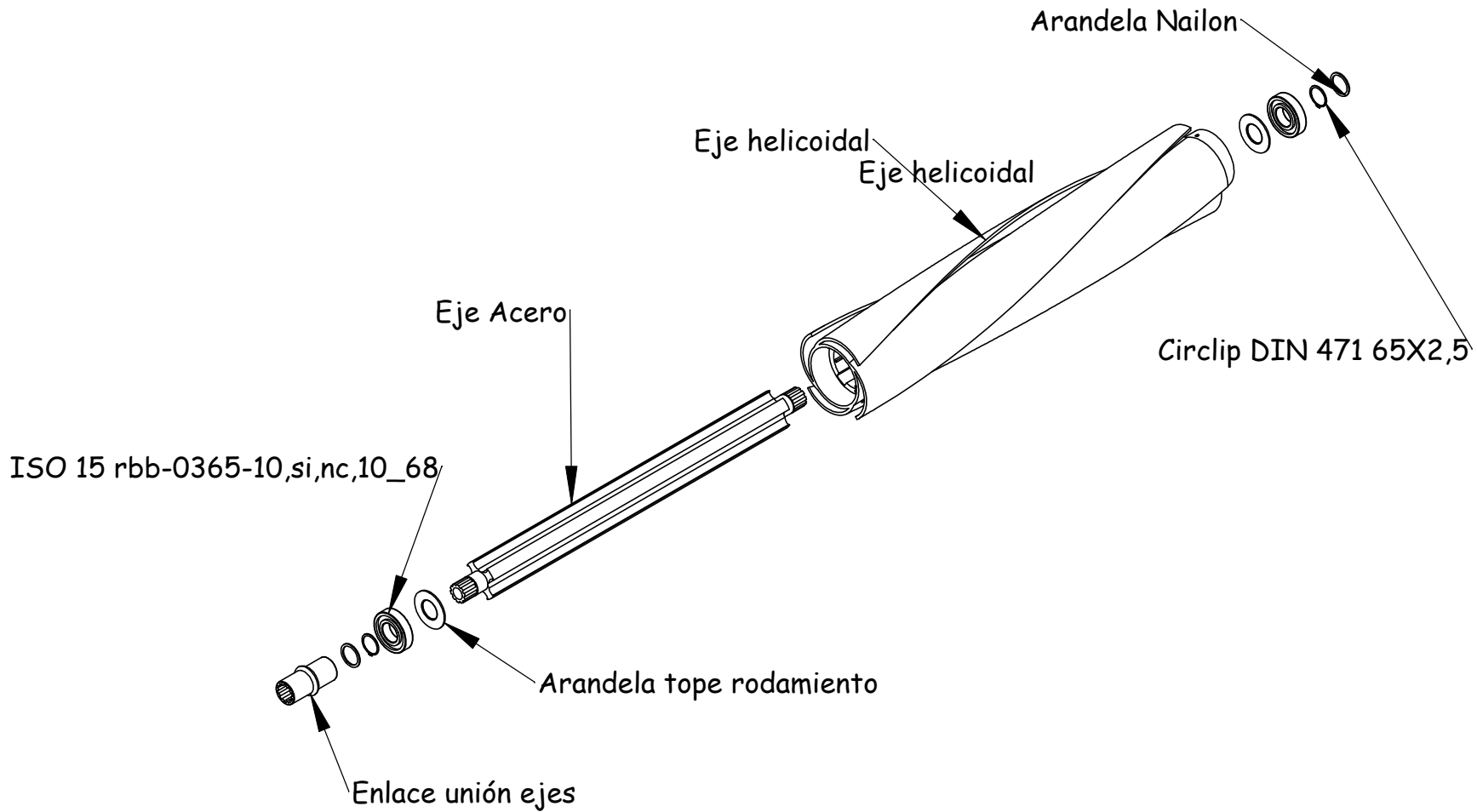
PROPRIETARY AND CONFIDENTIAL
THE INFORMATION CONTAINED IN THIS DRAWING IS THE SOLE PROPERTY OF <INSERT COMPANY NAME HERE>. ANY REPRODUCTION IN PART OR AS A WHOLE WITHOUT THE WRITTEN PERMISSION OF <INSERT COMPANY NAME HERE> IS PROHIBITED.



		DIMENSIONS ARE IN INCHES			NAME	DATE	
		TOLERANCES:		DRAWN			
		FRACTIONAL ±		CHECKED			
		ANGULAR: MACH ± BEND ±		ENG APPR.			
		TWO PLACE DECIMAL ±		MFG APPR.			
		THREE PLACE DECIMAL ±		Q.A.			
		MATERIAL		COMMENTS:			
NEXT ASSY	USED ON	FINISH					
APPLICATION		DO NOT SCALE DRAWING					
				SIZE	DWG. NO.		REV.
				A	eye helicoidal 1500		
				SCALE:1:50	WEIGHT:		SHEET 29 OF 29

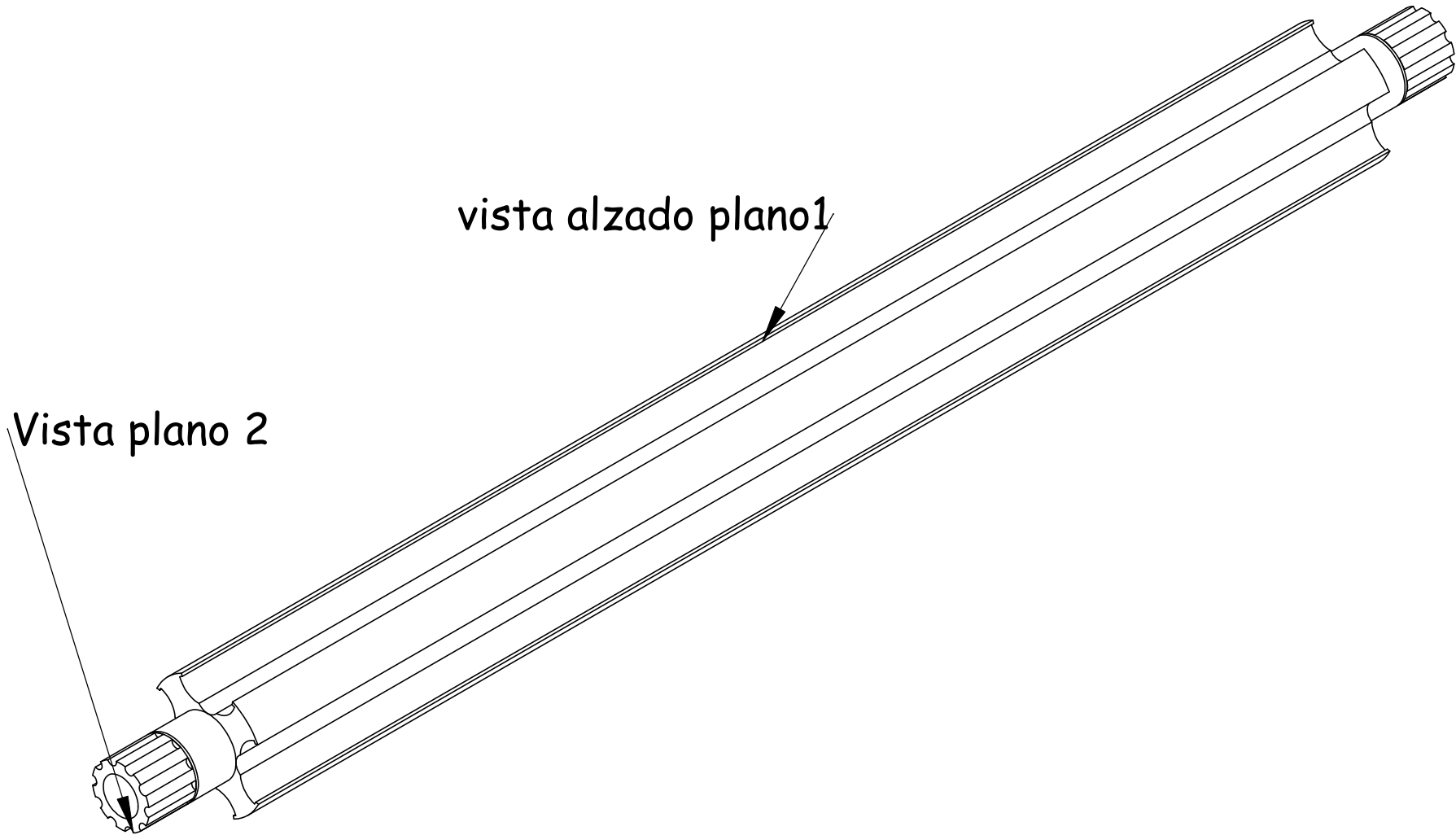
PROPRIETARY AND CONFIDENTIAL

THE INFORMATION CONTAINED IN THIS DRAWING IS THE SOLE PROPERTY OF <INSERT COMPANY NAME HERE>. ANY REPRODUCTION IN PART OR AS A WHOLE WITHOUT THE WRITTEN PERMISSION OF <INSERT COMPANY NAME HERE> IS PROHIBITED.



PROPRIETARY AND CONFIDENTIAL
 THE INFORMATION CONTAINED IN THIS DRAWING IS THE SOLE PROPERTY OF <INSERT COMPANY NAME HERE>. ANY REPRODUCTION IN PART OR AS A WHOLE WITHOUT THE WRITTEN PERMISSION OF <INSERT COMPANY NAME HERE> IS PROHIBITED.

		UNLESS OTHERWISE SPECIFIED:		NAME	DATE			
		DIMENSIONS ARE IN INCHES	DRAWN			TITLE:		
		TOLERANCES:	CHECKED					
		FRACTIONAL ±	ENG APPR.					
		ANGULAR: MACH ± BEND ±	MFG APPR.					
		TWO PLACE DECIMAL ±	Q.A.			SIZE DWG. NO. REV eja helicoidal 1500		
		THREE PLACE DECIMAL ±	COMMENTS:					
		INTERPRET GEOMETRIC TOLERANCING PER:				SCALE: 1:50	WEIGHT:	SHEET 5 OF 24
		MATERIAL						
		FINISH						
NEXT ASSY	USED ON							
APPLICATION		DO NOT SCALE DRAWING						



vista alzado plano1

Vista plano 2

PROPRIETARY AND CONFIDENTIAL
 THE INFORMATION CONTAINED IN THIS DRAWING IS THE SOLE PROPERTY OF <INSERT COMPANY NAME HERE>. ANY REPRODUCTION IN PART OR AS A WHOLE WITHOUT THE WRITTEN PERMISSION OF <INSERT COMPANY NAME HERE> IS PROHIBITED.

		UNLESS OTHERWISE SPECIFIED:		NAME	DATE	
		DIMENSIONS ARE IN INCHES	DRAWN			TITLE:
		TOLERANCES:	CHECKED			
		FRACTIONAL ±	ENG APPR.			
		ANGULAR: MACH ± BEND ±	MFG APPR.			
		TWO PLACE DECIMAL ±	Q.A.			
		THREE PLACE DECIMAL ±	COMMENTS:			
		INTERPRET GEOMETRIC TOLERANCING PER:				SIZE DWG. NO. REV
		MATERIAL				eja helicoidal 1500
		FINISH				SCALE: 1:20 WEIGHT: SHEET 9 OF 24
NEXT ASSY	USED ON					
APPLICATION		DO NOT SCALE DRAWING				

5

4

3

2

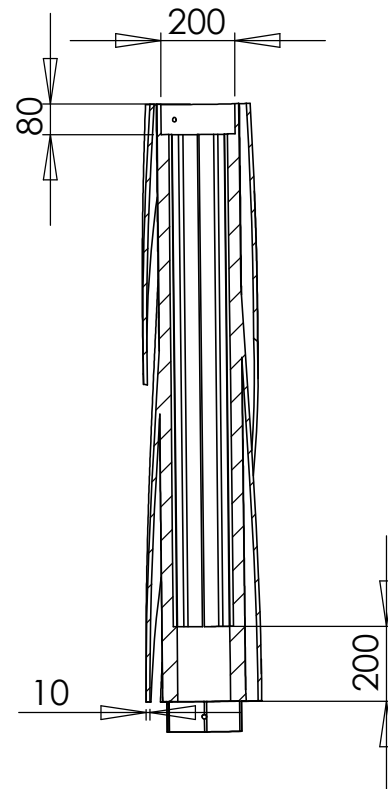
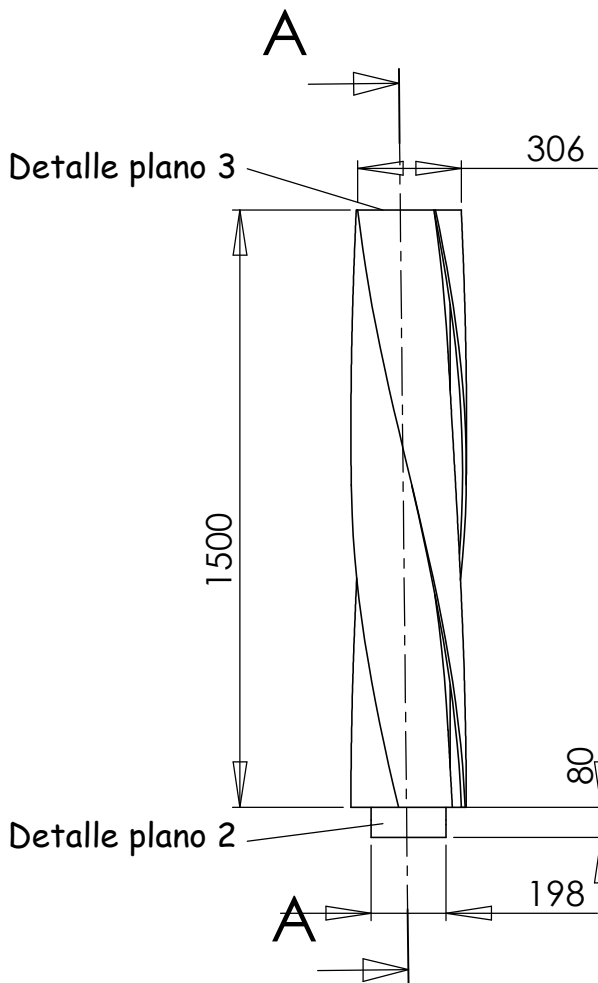
1



		DIMENSIONS ARE IN INCHES		NAME		DATE	
		TOLERANCES:		DRAWN			
		FRACTIONAL ±		CHECKED			
		ANGULAR: MACH ± BEND ±		ENG APPR.			
		TWO PLACE DECIMAL ±		MFG APPR.			
		THREE PLACE DECIMAL ±		Q.A.			
		MATERIAL		COMMENTS:			
NEXT ASSY	USED ON	FINISH					
APPLICATION		DO NOT SCALE DRAWING		SIZE	DWG. NO.	REV.	
				A	eje helicoidal 1500		
				SCALE:1:20	WEIGHT:	SHEET 1 OF 24	

PROPRIETARY AND CONFIDENTIAL

THE INFORMATION CONTAINED IN THIS DRAWING IS THE SOLE PROPERTY OF <INSERT COMPANY NAME HERE>. ANY REPRODUCTION IN PART OR AS A WHOLE WITHOUT THE WRITTEN PERMISSION OF <INSERT COMPANY NAME HERE> IS PROHIBITED.



SECCIÓN A-A

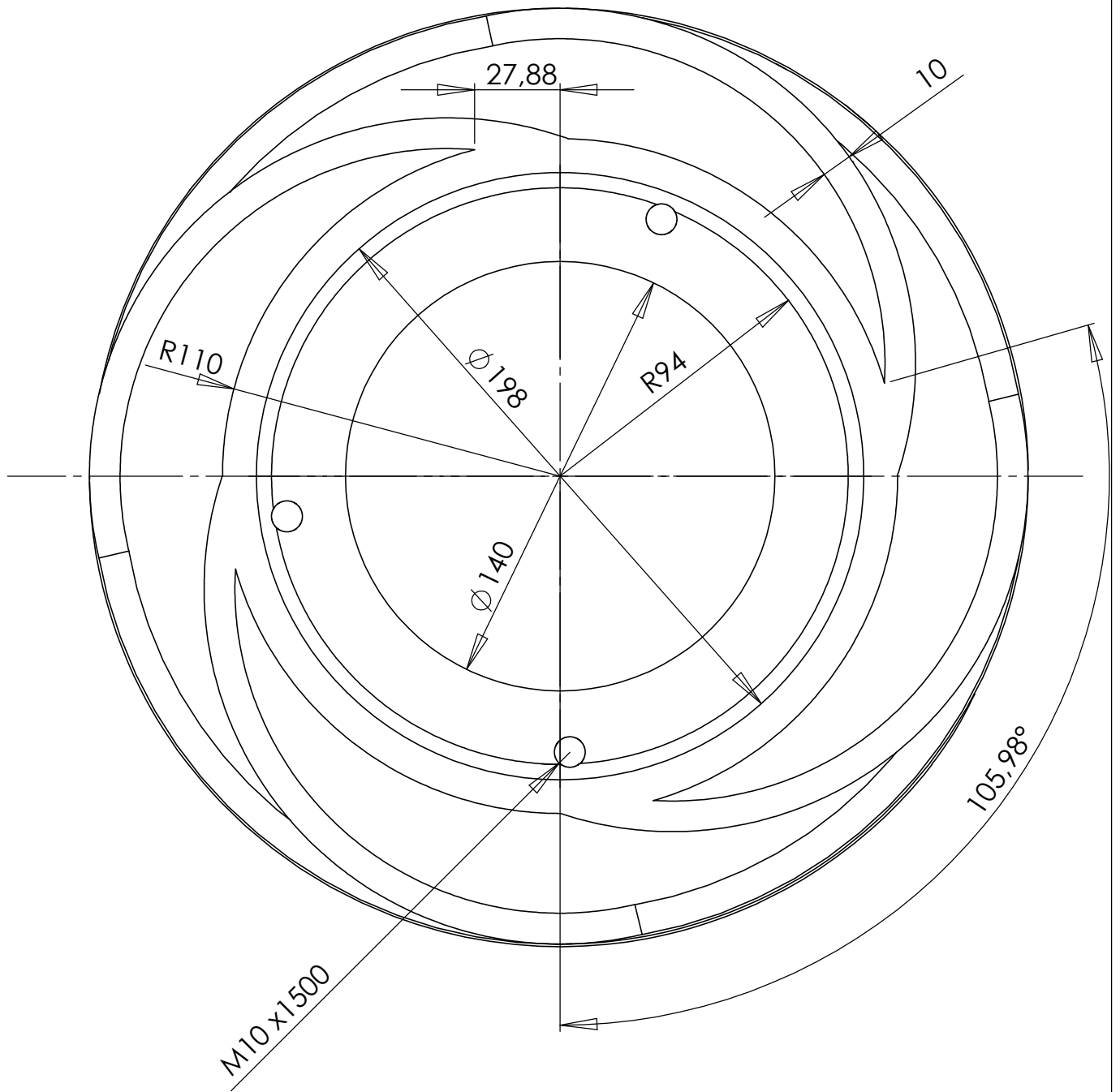
Datos característicos de la rosca:

Altura: 1500 mm

Paso Rosca: 4000 mm

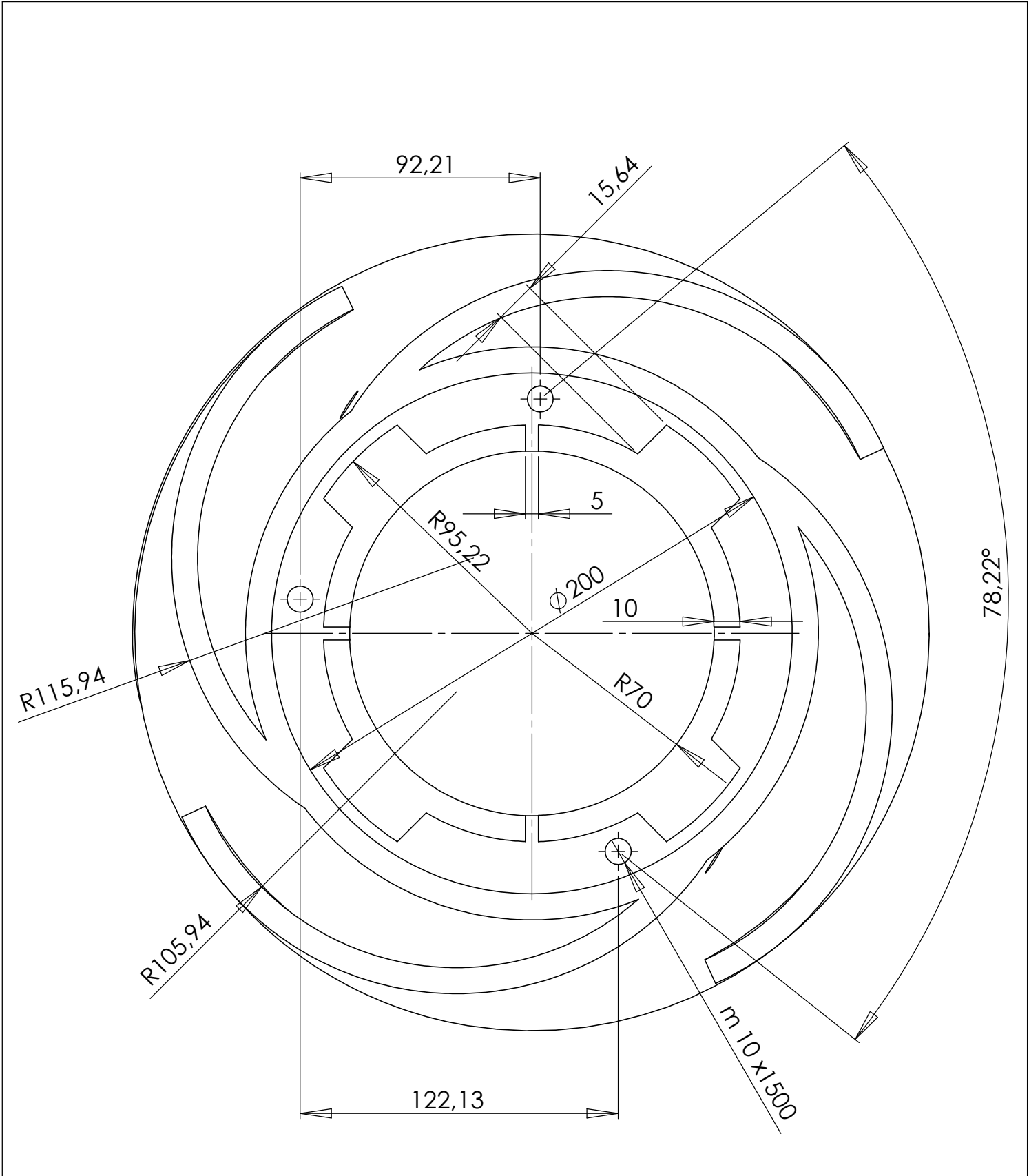
Angulo inicial: 225,00°

		DIMENSIONS ARE IN INCHES		NAME		DATE			
		TOLERANCES:		DRAWN					
		FRACTIONAL ±		CHECKED					
		ANGULAR: MACH ± BEND ±		ENG APPR.					
		TWO PLACE DECIMAL ±		MFG APPR.					
		THREE PLACE DECIMAL ±		Q.A.					
		MATERIAL		COMMENTS:					
		FINISH							
NEXT ASSY		USED ON							
APPLICATION		DO NOT SCALE DRAWING							
PROPRIETARY AND CONFIDENTIAL THE INFORMATION CONTAINED IN THIS DRAWING IS THE SOLE PROPERTY OF <INSERT COMPANY NAME HERE>. ANY REPRODUCTION IN PART OR AS A WHOLE WITHOUT THE WRITTEN PERMISSION OF <INSERT COMPANY NAME HERE> IS PROHIBITED.				SIZE		DWG. NO.		REV.	
				A		eje helicoidal 1500			
				SCALE:1:20		WEIGHT:		SHEET 2 OF 24	

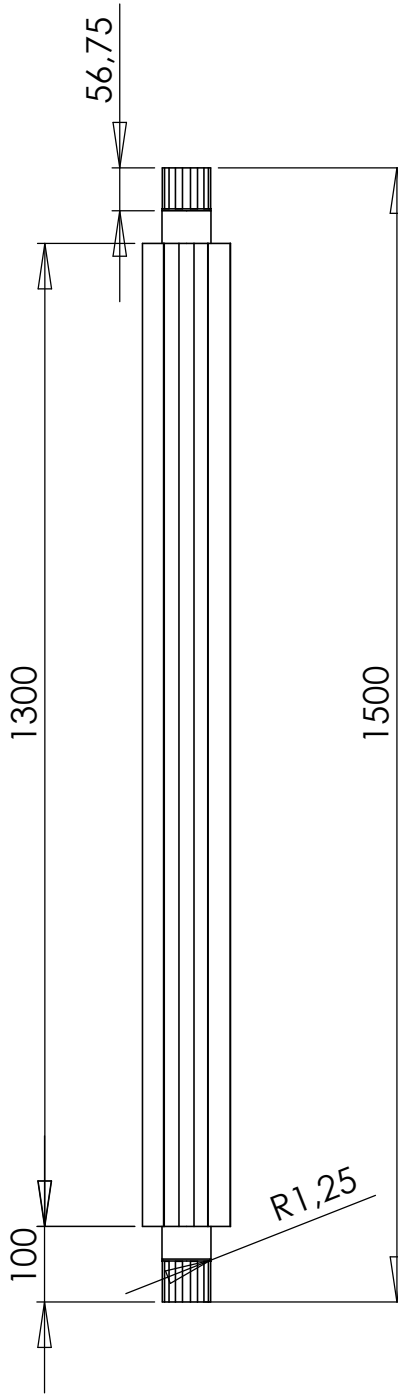


		DIMENSIONS ARE IN INCHES		NAME		DATE			
		TOLERANCES:		DRAWN					
		FRACTIONAL \pm		CHECKED					
		ANGULAR: MACH \pm BEND \pm		ENG APPR.					
		TWO PLACE DECIMAL \pm		MFG APPR.					
		THREE PLACE DECIMAL \pm		Q.A.					
		MATERIAL		COMMENTS:					
		FINISH							
NEXT ASSY	USED ON								
APPLICATION		DO NOT SCALE DRAWING							
<p>PROPRIETARY AND CONFIDENTIAL</p> <p>THE INFORMATION CONTAINED IN THIS DRAWING IS THE SOLE PROPERTY OF <INSERT COMPANY NAME HERE>. ANY REPRODUCTION IN PART OR AS A WHOLE WITHOUT THE WRITTEN PERMISSION OF <INSERT COMPANY NAME HERE> IS PROHIBITED.</p>				SIZE		DWG. NO.		REV.	
				A		eye helicoidal 1500			
				SCALE: 1:20		WEIGHT:		SHEET 3 OF 24	

PLANO 2

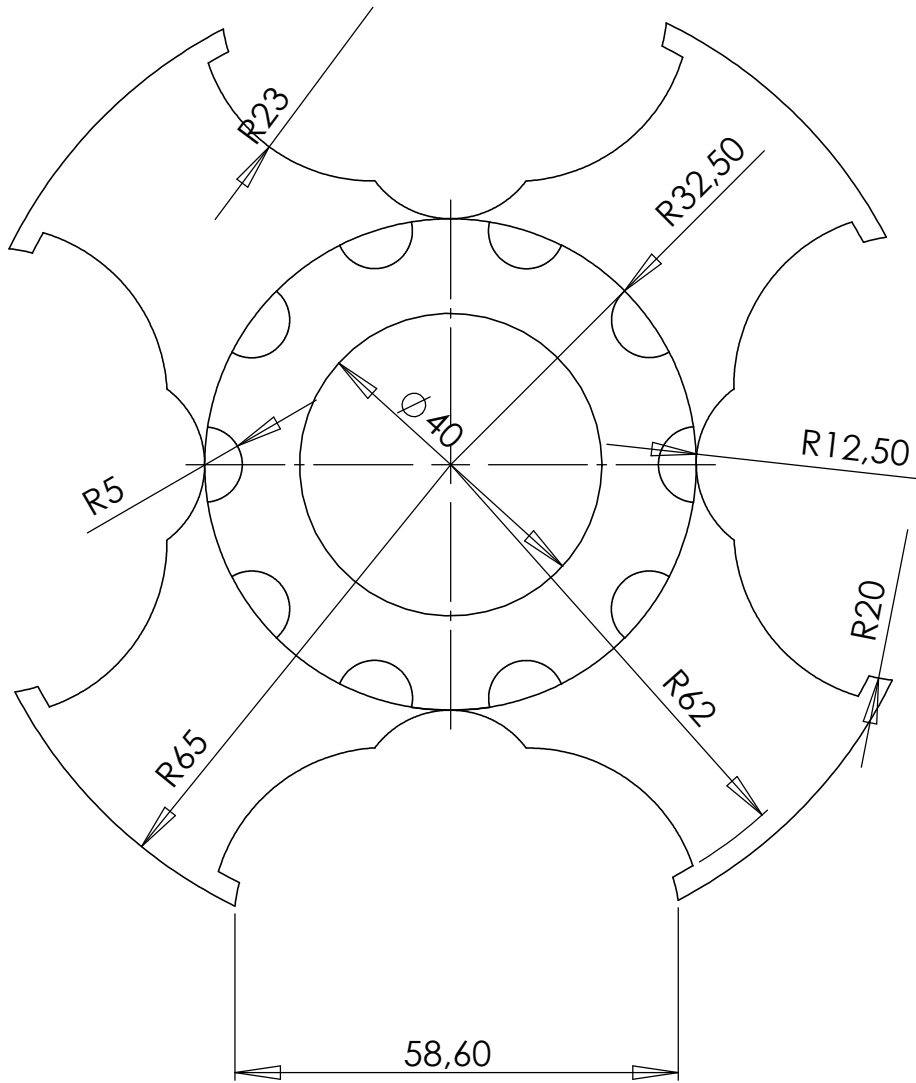


<p>PROPRIETARY AND CONFIDENTIAL</p> <p>THE INFORMATION CONTAINED IN THIS DRAWING IS THE SOLE PROPERTY OF <INSERT COMPANY NAME HERE>. ANY REPRODUCTION IN PART OR AS A WHOLE WITHOUT THE WRITTEN PERMISSION OF <INSERT COMPANY NAME HERE> IS PROHIBITED.</p>		<p>DIMENSIONS ARE IN INCHES</p> <p>TOLERANCES:</p> <p>FRACTIONAL ±</p> <p>ANGULAR: MACH ± BEND ±</p> <p>TWO PLACE DECIMAL ±</p> <p>THREE PLACE DECIMAL ±</p>		<p>NAME</p>	<p>DATE</p>
		<p>MATERIAL</p>	<p>Q.A.</p>	<p>COMMENTS:</p>	<p>PLANO 3</p>
<p>NEXT ASSY</p>	<p>USED ON</p>	<p>FINISH</p>	<p>SCALE: 1:20</p>	<p>DWG. NO.</p> <p>A eje helicoidal 1500</p>	
<p>APPLICATION</p>		<p>DO NOT SCALE DRAWING</p>		<p>WEIGHT:</p>	<p>SHEET 4 OF 24</p>



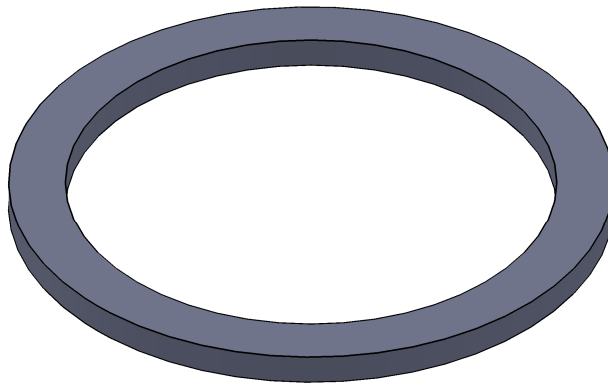
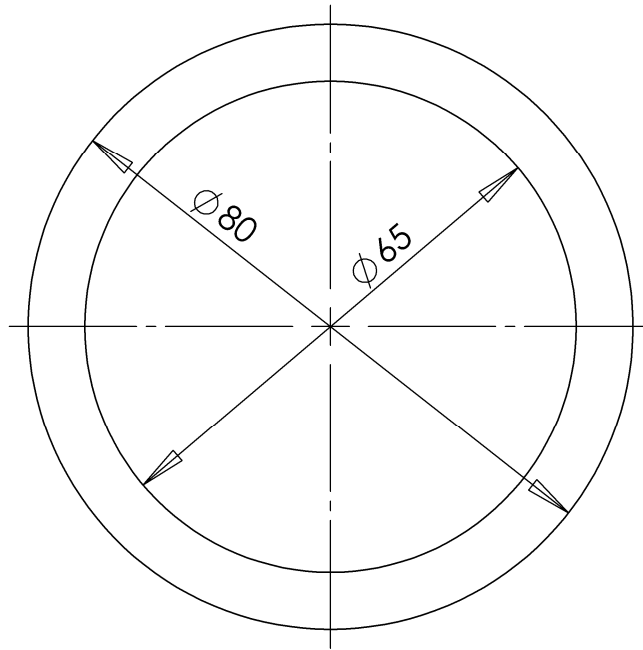
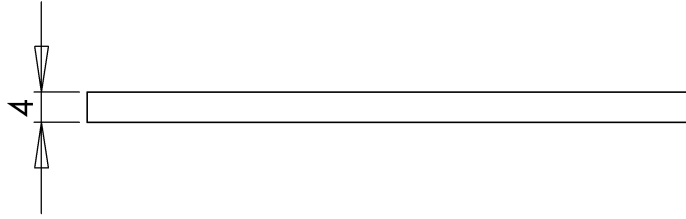
PROPRIETARY AND CONFIDENTIAL
 THE INFORMATION CONTAINED IN THIS DRAWING IS THE SOLE PROPERTY OF <INSERT COMPANY NAME HERE>. ANY REPRODUCTION IN PART OR AS A WHOLE WITHOUT THE WRITTEN PERMISSION OF <INSERT COMPANY NAME HERE> IS PROHIBITED.

		DIMENSIONS ARE IN INCHES			NAME	DATE	<h1>Plano 1</h1>
		TOLERANCES:		DRAWN			
		FRACTIONAL ±		CHECKED			
		ANGULAR: MACH ± BEND ±		ENG APPR.			
		TWO PLACE DECIMAL ±		MFG APPR.			
		THREE PLACE DECIMAL ±		Q.A.			
		MATERIAL		COMMENTS:			
		NEXT ASSY	USED ON	FINISH			
		APPLICATION		DO NOT SCALE DRAWING			
		SIZE	DWG. NO.				REV.
		A	eje helicoidal 1500				
		SCALE:1:20	WEIGHT:				SHEET 10 OF 24



PROPRIETARY AND CONFIDENTIAL
 THE INFORMATION CONTAINED IN THIS DRAWING IS THE SOLE PROPERTY OF <INSERT COMPANY NAME HERE>. ANY REPRODUCTION IN PART OR AS A WHOLE WITHOUT THE WRITTEN PERMISSION OF <INSERT COMPANY NAME HERE> IS PROHIBITED.

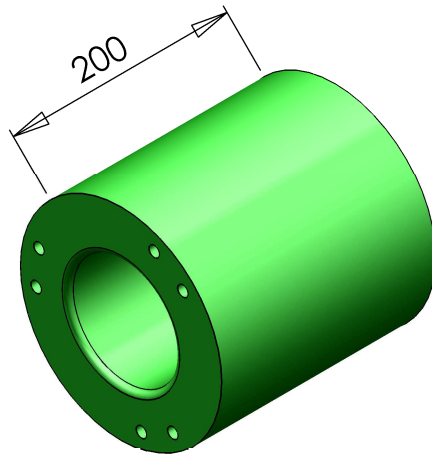
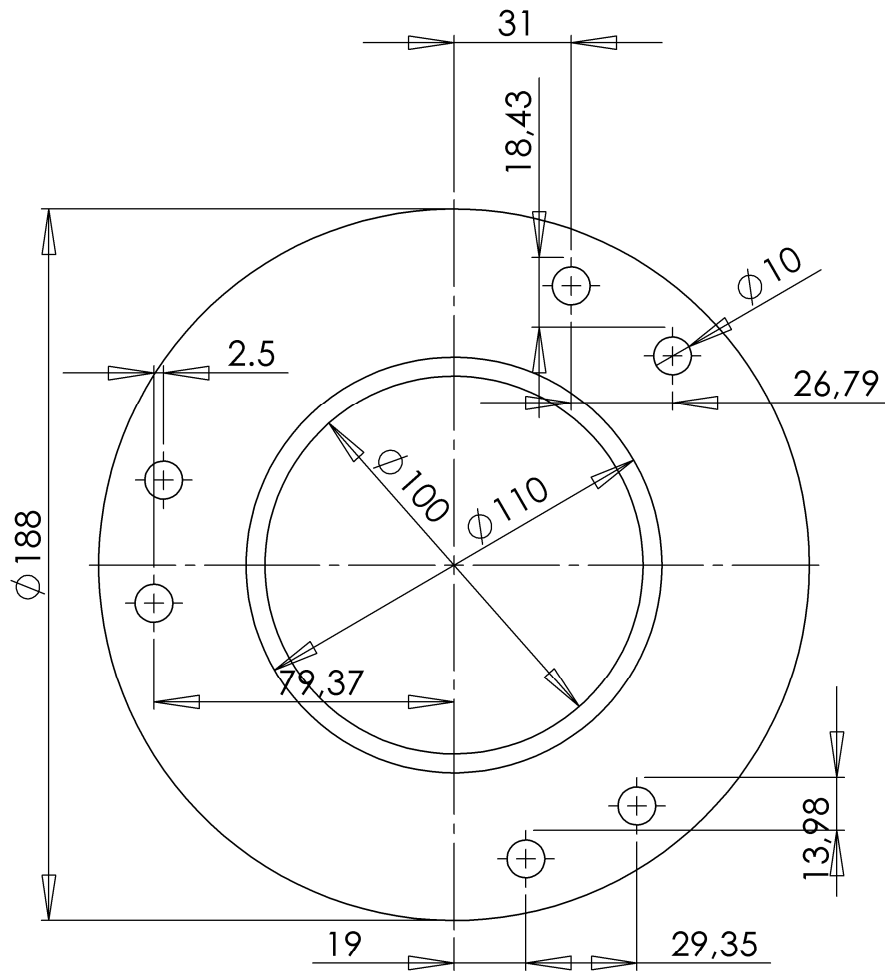
		DIMENSIONS ARE IN INCHES TOLERANCES: FRACTIONAL ± ANGULAR: MACH ± BEND ± TWO PLACE DECIMAL ± THREE PLACE DECIMAL ±			NAME	DATE	<h1>Plano 2</h1>
			MATERIAL	DRAWN			
			FINISH	CHECKED			
NEXT ASSY	USED ON			ENG APPR.			
APPLICATION		DO NOT SCALE DRAWING		MFG APPR.			
				COMMENTS:			
				Q.A.			
						SIZE	DWG. NO.
						A	eje helicoidal 1500
						SCALE:1:20	WEIGHT:
						REV.	
						SHEET 11 OF 24	



		DIMENSIONS ARE IN INCHES		NAME		DATE	
		TOLERANCES:		DRAWN			
		FRACTIONAL ±		CHECKED			
		ANGULAR: MACH ± BEND ±		ENG APPR.			
		TWO PLACE DECIMAL ±		MFG APPR.			
		THREE PLACE DECIMAL ±		Q.A.			
		MATERIAL		COMMENTS:			
NEXT ASSY	USED ON	FINISH					
APPLICATION		DO NOT SCALE DRAWING		SIZE A DWG. NO. eje helicoidal 1500		REV.	
				SCALE:1:50		WEIGHT:	
						SHEET 12 OF 24	

PROPRIETARY AND CONFIDENTIAL

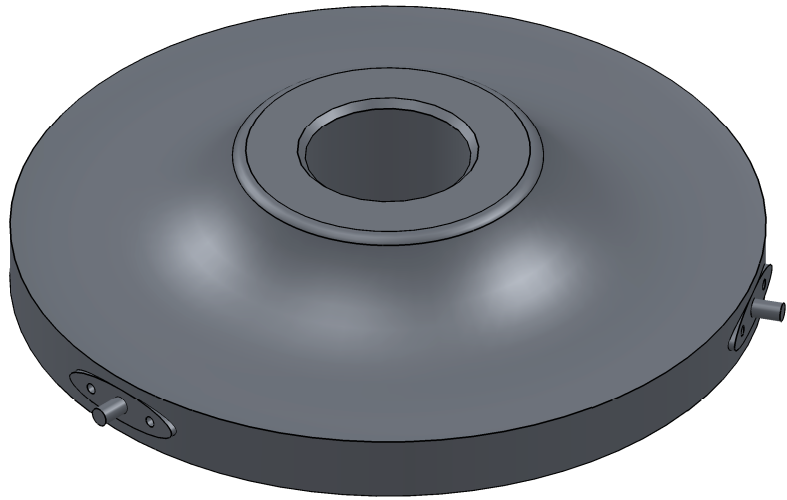
THE INFORMATION CONTAINED IN THIS DRAWING IS THE SOLE PROPERTY OF <INSERT COMPANY NAME HERE>. ANY REPRODUCTION IN PART OR AS A WHOLE WITHOUT THE WRITTEN PERMISSION OF <INSERT COMPANY NAME HERE> IS PROHIBITED.



		DIMENSIONS ARE IN INCHES		NAME	DATE
		TOLERANCES:		DRAWN	
		FRACTIONAL ±		CHECKED	
		ANGULAR: MACH ± BEND ±		ENG APPR.	
		TWO PLACE DECIMAL ±		MFG APPR.	
		THREE PLACE DECIMAL ±		Q.A.	
		MATERIAL		COMMENTS:	
NEXT ASSY	USED ON	FINISH			
APPLICATION		DO NOT SCALE DRAWING			
				REFUERZO INTERMEDIO DE UNIÓN	
		SIZE	DWG. NO.	REV.	
		A	eje helicoidal 1500		
		SCALE:1:5	WEIGHT:	SHEET 13 OF 24	

PROPRIETARY AND CONFIDENTIAL

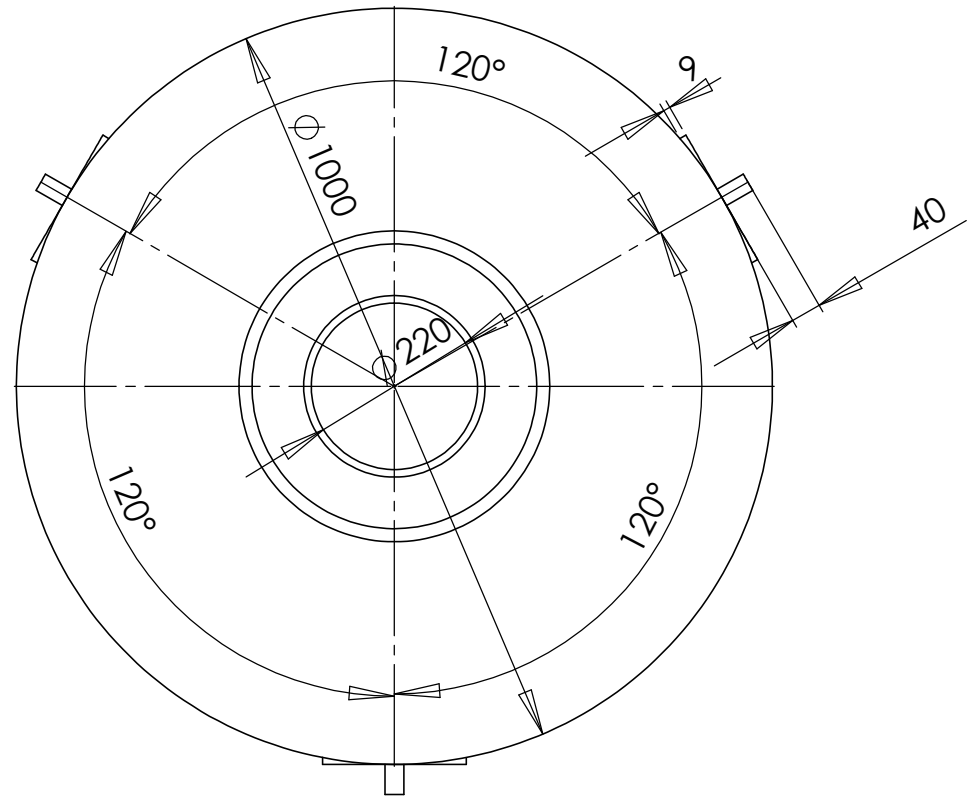
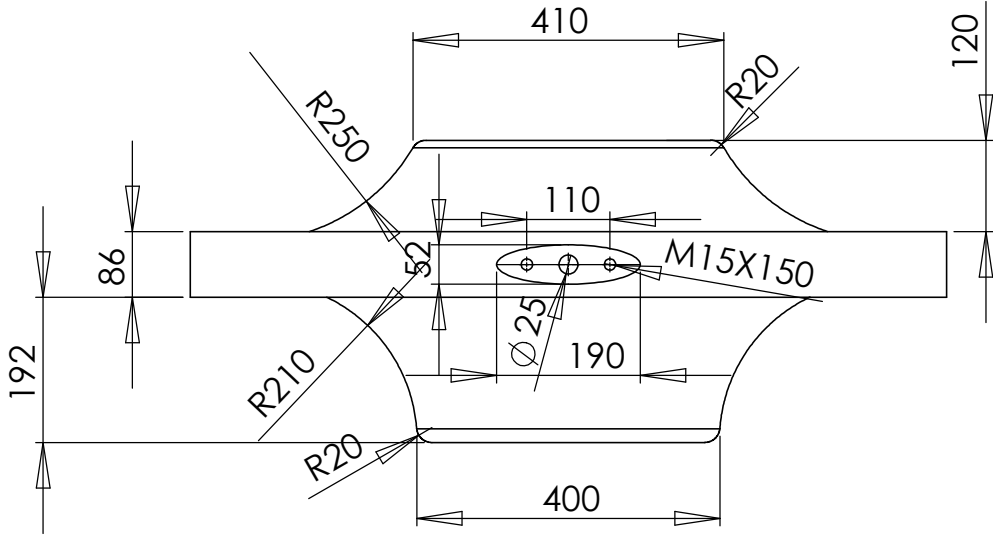
THE INFORMATION CONTAINED IN THIS DRAWING IS THE SOLE PROPERTY OF <INSERT COMPANY NAME HERE>. ANY REPRODUCTION IN PART OR AS A WHOLE WITHOUT THE WRITTEN PERMISSION OF <INSERT COMPANY NAME HERE> IS PROHIBITED.



		DIMENSIONS ARE IN INCHES		NAME	DATE	<p style="text-align: center;">CENTRADOR HELICE SUPERIOR ISO</p>
		TOLERANCES:		DRAWN		
		FRACTIONAL ±		CHECKED		
		ANGULAR: MACH ± BEND ±		ENG APPR.		
		TWO PLACE DECIMAL ±		MFG APPR.		
		THREE PLACE DECIMAL ±		Q.A.		
		MATERIAL		COMMENTS:		
NEXT ASSY	USED ON	FINISH				
APPLICATION		DO NOT SCALE DRAWING				
				SIZE	DWG. NO.	REV.
				A	eje helicoidal 1500	
				SCALE:1:20	WEIGHT:	SHEET 14 OF 24

PROPRIETARY AND CONFIDENTIAL

THE INFORMATION CONTAINED IN THIS DRAWING IS THE SOLE PROPERTY OF <INSERT COMPANY NAME HERE>. ANY REPRODUCTION IN PART OR AS A WHOLE WITHOUT THE WRITTEN PERMISSION OF <INSERT COMPANY NAME HERE> IS PROHIBITED.



DIMENSIONS ARE IN INCHES
 TOLERANCES:
 FRACTIONAL ±
 ANGULAR: MACH ± BEND ±
 TWO PLACE DECIMAL ±
 THREE PLACE DECIMAL ±

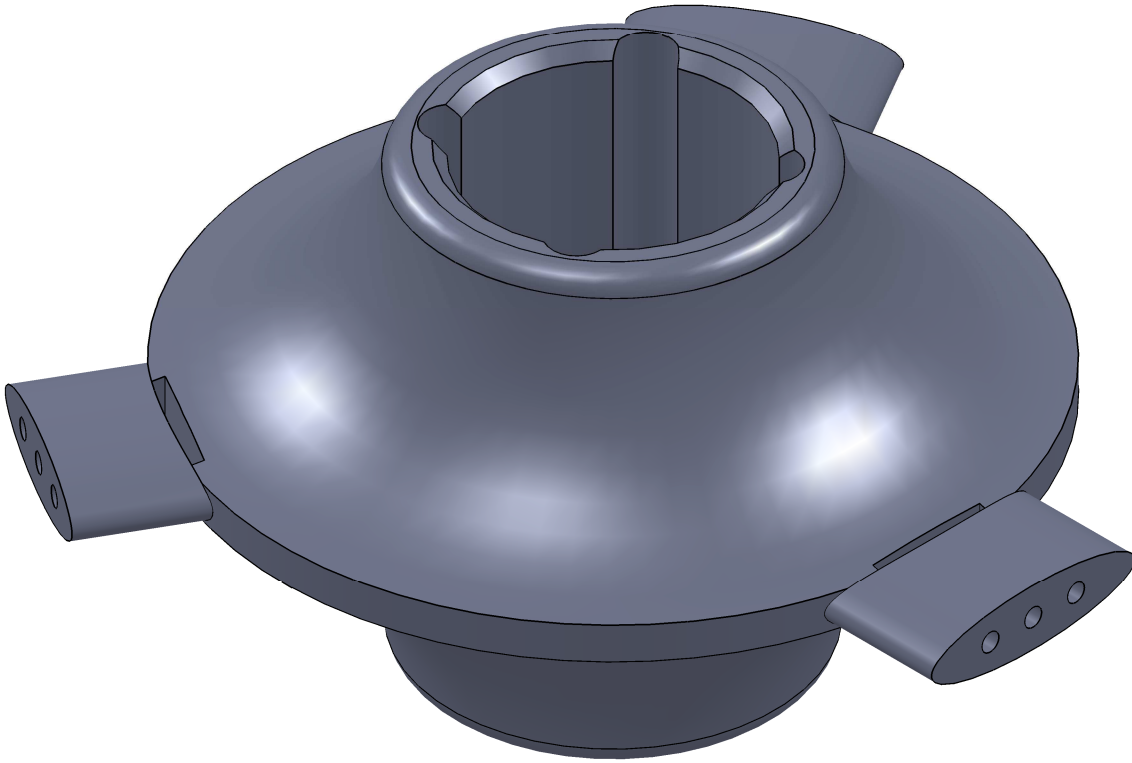
	NAME	DATE
DRAWN		
CHECKED		
ENG APPR.		
MFG APPR.		
Q.A.		

CENTRADOR DE HELICE SUPERIOR

		MATERIAL
		FINISH
NEXT ASSY	USED ON	
APPLICATION		DO NOT SCALE DRAWING

SIZE	DWG. NO.	REV.
A	eje helicoidal 1500	
SCALE: 1:20	WEIGHT:	SHEET 15 OF 24

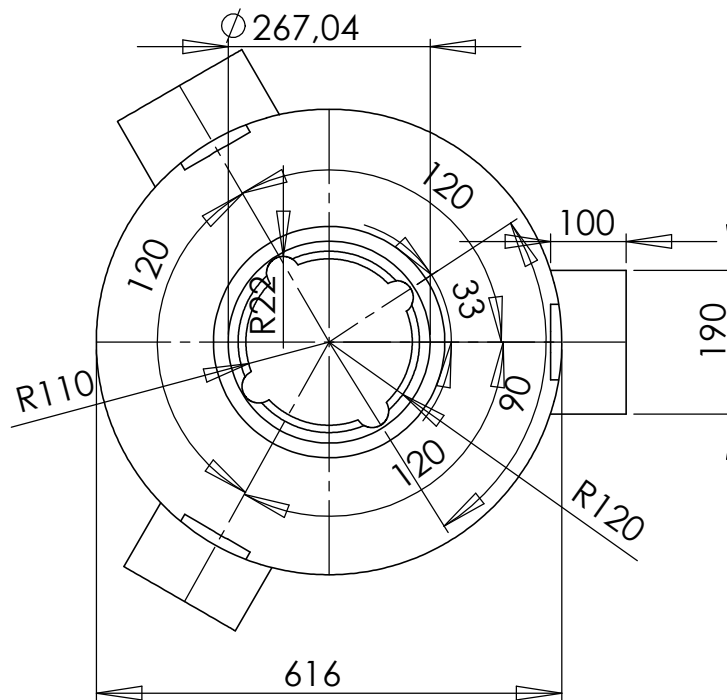
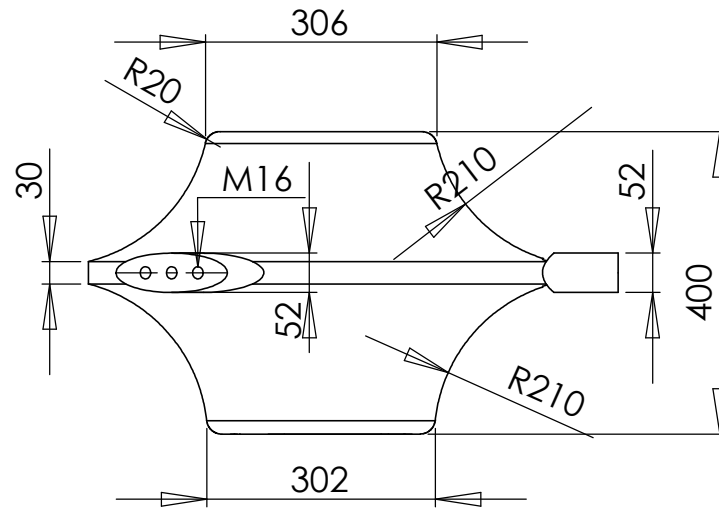
PROPRIETARY AND CONFIDENTIAL
 THE INFORMATION CONTAINED IN THIS DRAWING IS THE SOLE PROPERTY OF <INSERT COMPANY NAME HERE>. ANY REPRODUCTION IN PART OR AS A WHOLE WITHOUT THE WRITTEN PERMISSION OF <INSERT COMPANY NAME HERE> IS PROHIBITED.



		DIMENSIONS ARE IN INCHES		NAME	DATE	centrador helice inferior
		TOLERANCES:		DRAWN		
		FRACTIONAL ±		CHECKED		
		ANGULAR: MACH ± BEND ±		ENG APPR.		
		TWO PLACE DECIMAL ±		MFG APPR.		
		THREE PLACE DECIMAL ±		Q.A.		SIZE A DWG. NO. eje helicoidal 1500 REV. SCALE:1:20 WEIGHT: SHEET 16 OF 24
		MATERIAL		COMMENTS:		
NEXT ASSY	USED ON	FINISH				
APPLICATION		DO NOT SCALE DRAWING				

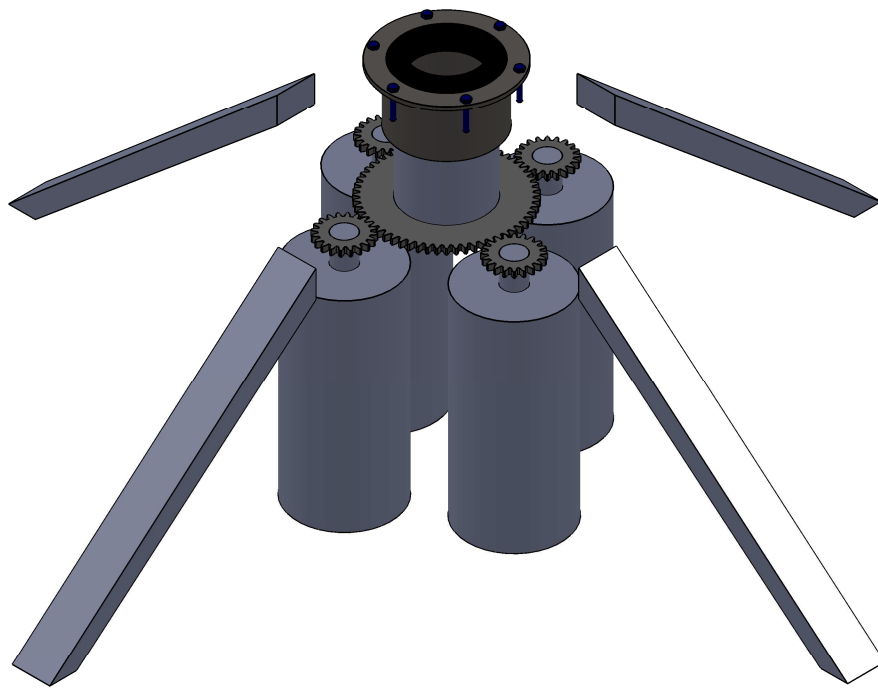
PROPRIETARY AND CONFIDENTIAL

THE INFORMATION CONTAINED IN THIS DRAWING IS THE SOLE PROPERTY OF <INSERT COMPANY NAME HERE>. ANY REPRODUCTION IN PART OR AS A WHOLE WITHOUT THE WRITTEN PERMISSION OF <INSERT COMPANY NAME HERE> IS PROHIBITED.



PROPRIETARY AND CONFIDENTIAL
 THE INFORMATION CONTAINED IN THIS DRAWING IS THE SOLE PROPERTY OF <INSERT COMPANY NAME HERE>. ANY REPRODUCTION IN PART OR AS A WHOLE WITHOUT THE WRITTEN PERMISSION OF <INSERT COMPANY NAME HERE> IS PROHIBITED.

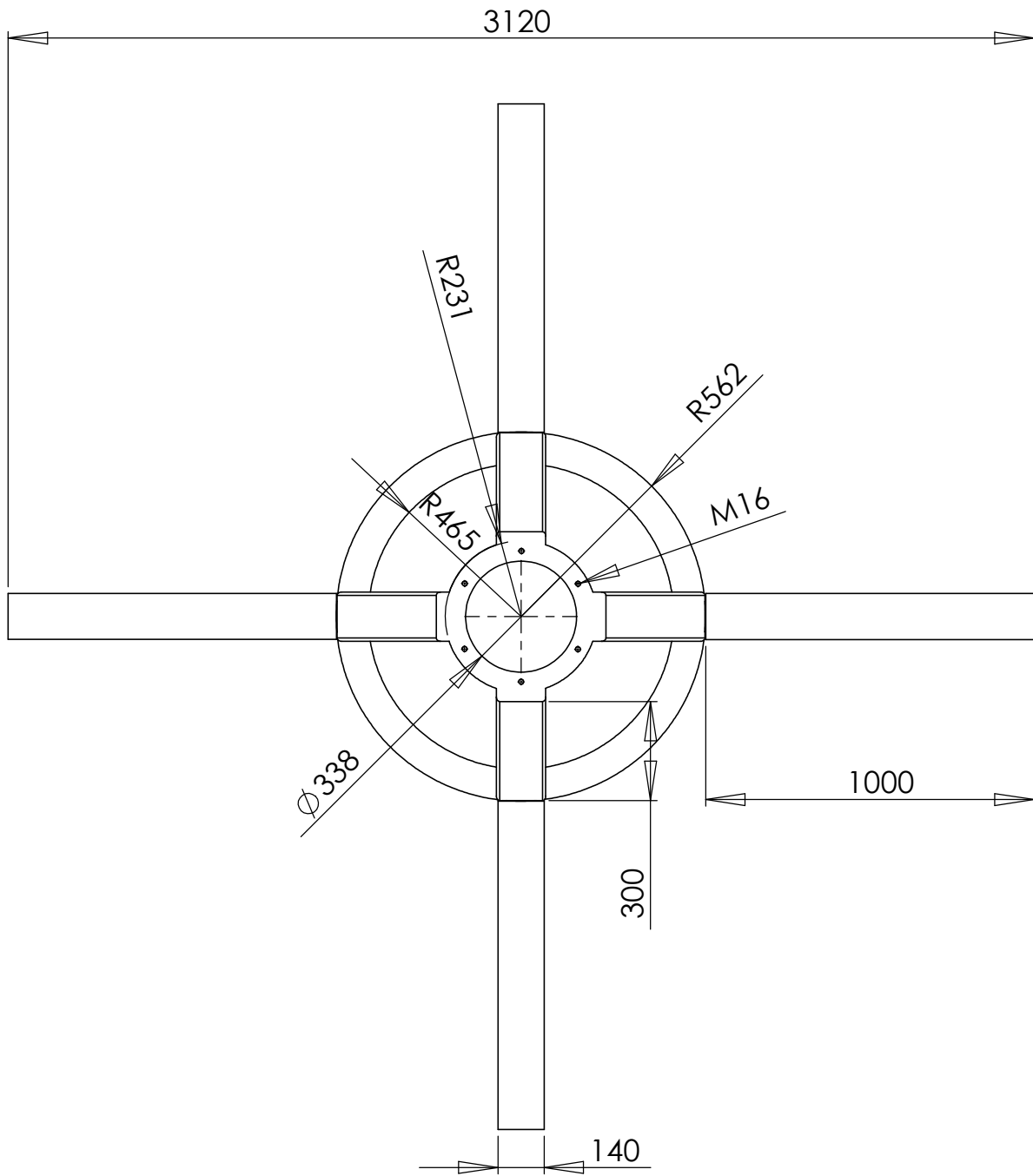
		DIMENSIONS ARE IN INCHES TOLERANCES: FRACTIONAL ± ANGULAR: MACH ± BEND ± TWO PLACE DECIMAL ± THREE PLACE DECIMAL ±		NAME	DATE	Centrador helice inferior
		MATERIAL	DRAWN			
		FINISH	CHECKED			
NEXT ASSY	USED ON		ENG APPR.			
			MFG APPR.			
APPLICATION		DO NOT SCALE DRAWING	COMMENTS:			SIZE DWG. NO. A eje helicoidal 1500
			Q.A.			REV.
					SCALE:1:20	WEIGHT:
					SHEET 17 OF 24	



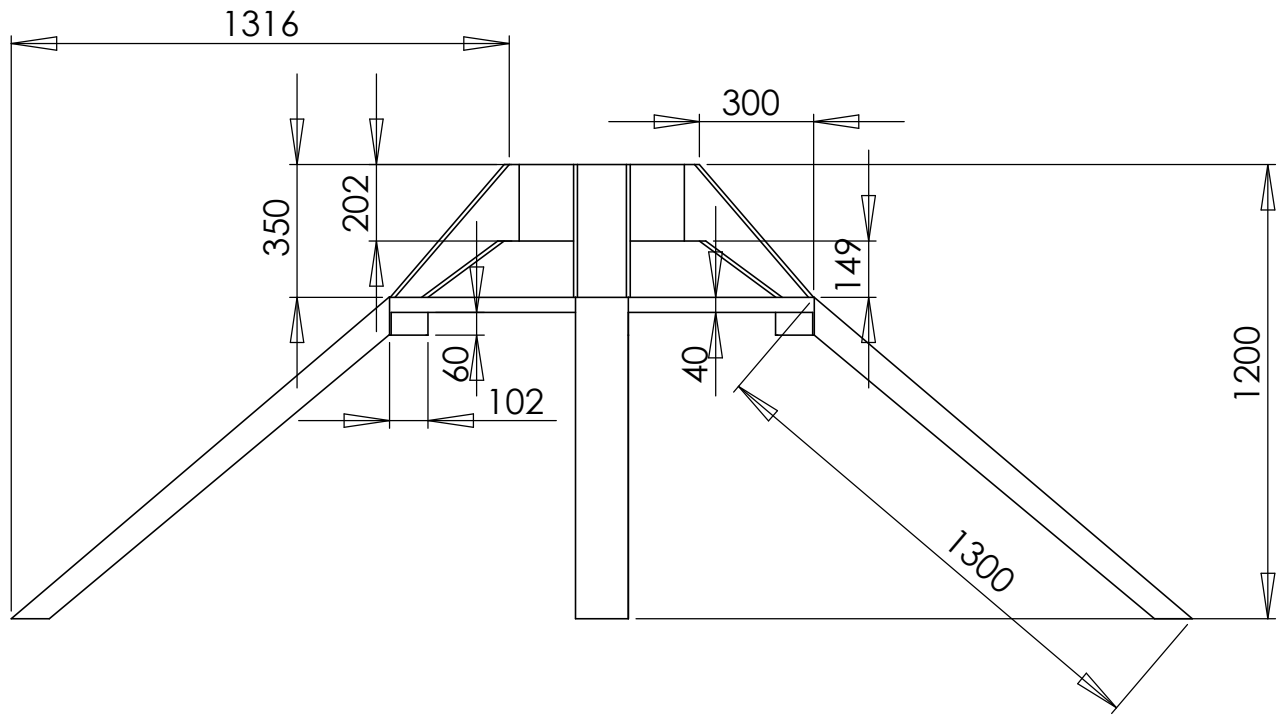
		DIMENSIONS ARE IN INCHES		NAME		DATE	
		TOLERANCES:		DRAWN			
		FRACTIONAL \pm		CHECKED			
		ANGULAR: MACH \pm BEND \pm		ENG APPR.			
		TWO PLACE DECIMAL \pm		MFG APPR.			
		THREE PLACE DECIMAL \pm		Q.A.			
		MATERIAL		COMMENTS:			
NEXT ASSY	USED ON	FINISH					
APPLICATION		DO NOT SCALE DRAWING		<p style="text-align: center; font-size: 24pt;">Soporte tipo azotea</p>			
				SIZE	DWG. NO.	REV.	
				A	eje helicoidal 1500		
				SCALE:1:100	WEIGHT:	SHEET 18 OF 24	

PROPRIETARY AND CONFIDENTIAL

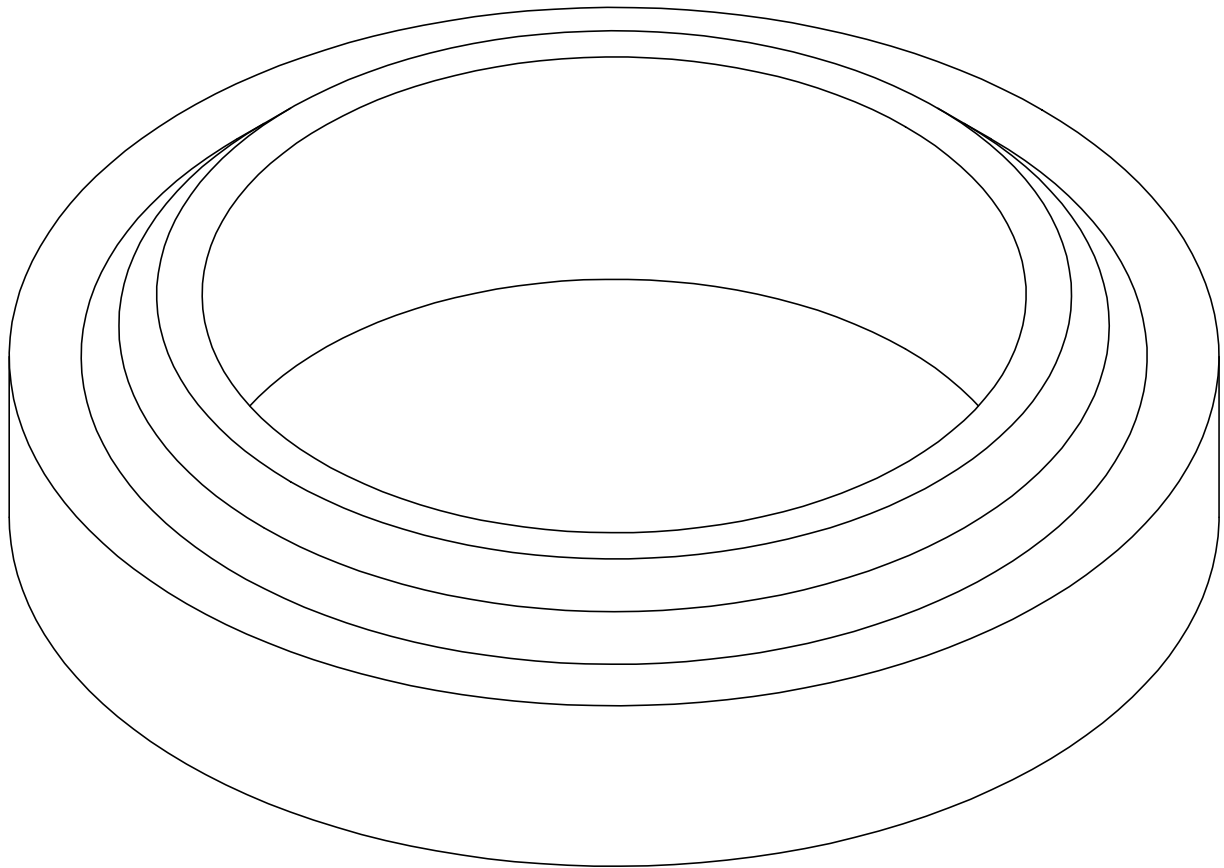
THE INFORMATION CONTAINED IN THIS DRAWING IS THE SOLE PROPERTY OF <INSERT COMPANY NAME HERE>. ANY REPRODUCTION IN PART OR AS A WHOLE WITHOUT THE WRITTEN PERMISSION OF <INSERT COMPANY NAME HERE> IS PROHIBITED.



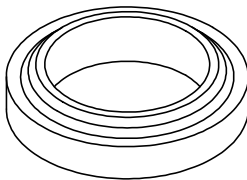
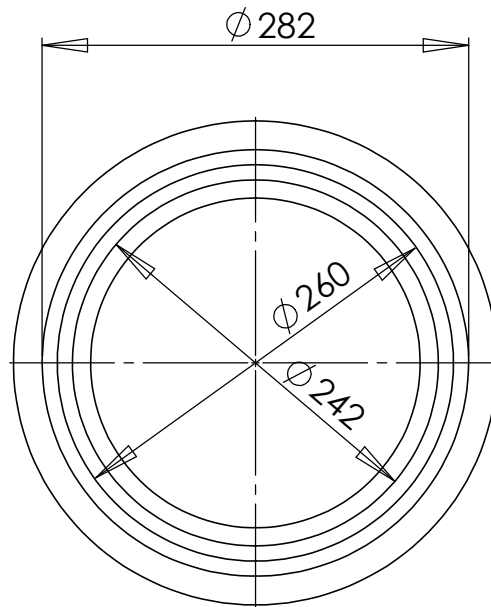
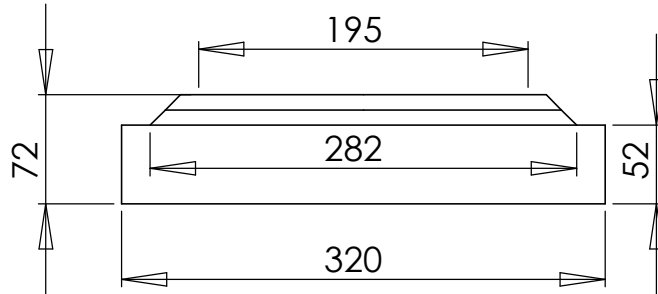
		DIMENSIONS ARE IN INCHES		NAME	DATE
		TOLERANCES:		DRAWN	
		FRACTIONAL ±		CHECKED	
		ANGULAR: MACH ± BEND ±		ENG APPR.	
		TWO PLACE DECIMAL ±		MFG APPR.	
		THREE PLACE DECIMAL ±		Q.A.	
		MATERIAL		COMMENTS:	
NEXT ASSY	USED ON	FINISH			
APPLICATION		DO NOT SCALE DRAWING			
<p>PROPRIETARY AND CONFIDENTIAL</p> <p>THE INFORMATION CONTAINED IN THIS DRAWING IS THE SOLE PROPERTY OF <INSERT COMPANY NAME HERE>. ANY REPRODUCTION IN PART OR AS A WHOLE WITHOUT THE WRITTEN PERMISSION OF <INSERT COMPANY NAME HERE> IS PROHIBITED.</p>				<p>Soporte inferior 1/</p>	
				A	eje helicoidal 1500
				SCALE:1:100	WEIGHT:
				SHEET 19 OF 24	



		DIMENSIONS ARE IN INCHES		NAME	DATE		
		TOLERANCES:		DRAWN			
		FRACTIONAL ±		CHECKED			
		ANGULAR: MACH ± BEND ±		ENG APPR.			
		TWO PLACE DECIMAL ±		MFG APPR.			
		THREE PLACE DECIMAL ±		Q.A.			
		MATERIAL		COMMENTS:			
NEXT ASSY	USED ON	FINISH					
APPLICATION		DO NOT SCALE DRAWING					
<p>PROPRIETARY AND CONFIDENTIAL</p> <p>THE INFORMATION CONTAINED IN THIS DRAWING IS THE SOLE PROPERTY OF <INSERT COMPANY NAME HERE>. ANY REPRODUCTION IN PART OR AS A WHOLE WITHOUT THE WRITTEN PERMISSION OF <INSERT COMPANY NAME HERE> IS PROHIBITED.</p>		<p>Soporte inferior 2/</p>			SIZE	DWG. NO.	REV.
					<p>A eje helicoidal 1500</p>		



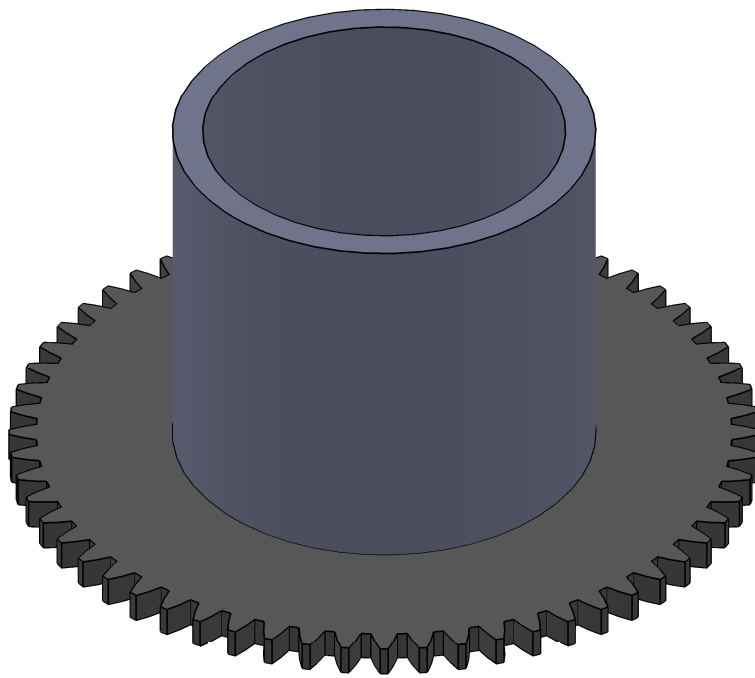
		DIMENSIONS ARE IN INCHES			NAME	DATE	Soporte inferior 3/ Junta buje	
		TOLERANCES:		DRAWN				
		FRACTIONAL ±		CHECKED				
		ANGULAR: MACH ± BEND ±		ENG APPR.				
		TWO PLACE DECIMAL ±		MFG APPR.				
		THREE PLACE DECIMAL ±		Q.A.				
		MATERIAL		COMMENTS:				
		NEXT ASSY	USED ON	FINISH				
		APPLICATION		DO NOT SCALE DRAWING				
<p>PROPRIETARY AND CONFIDENTIAL THE INFORMATION CONTAINED IN THIS DRAWING IS THE SOLE PROPERTY OF <INSERT COMPANY NAME HERE>. ANY REPRODUCTION IN PART OR AS A WHOLE WITHOUT THE WRITTEN PERMISSION OF <INSERT COMPANY NAME HERE> IS PROHIBITED.</p>								
SIZE		DWG. NO.		SCALE:1:10		WEIGHT:		
A		eye helicoidal 1500				REV.		
						SHEET 21 OF 24		



		DIMENSIONS ARE IN INCHES		NAME		DATE		
		TOLERANCES:		DRAWN				
		FRACTIONAL \pm		CHECKED				
		ANGULAR: MACH \pm BEND \pm		ENG APPR.				
		TWO PLACE DECIMAL \pm		MFG APPR.				
		THREE PLACE DECIMAL \pm		Q.A.				
		MATERIAL		COMMENTS:				
NEXT ASSY	USED ON	FINISH						
APPLICATION		DO NOT SCALE DRAWING						
Soporte inferior 4/ Junta Buje						SIZE	DWG. NO.	REV.
						A	eje helicoidal 1500	
SCALE: 1:10				WEIGHT:		SHEET 22 OF 24		

PROPRIETARY AND CONFIDENTIAL

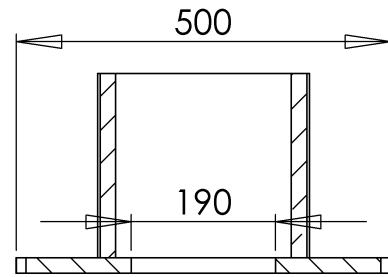
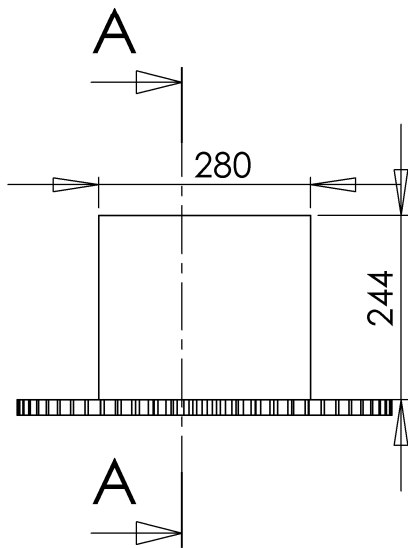
THE INFORMATION CONTAINED IN THIS DRAWING IS THE SOLE PROPERTY OF <INSERT COMPANY NAME HERE>. ANY REPRODUCTION IN PART OR AS A WHOLE WITHOUT THE WRITTEN PERMISSION OF <INSERT COMPANY NAME HERE> IS PROHIBITED.



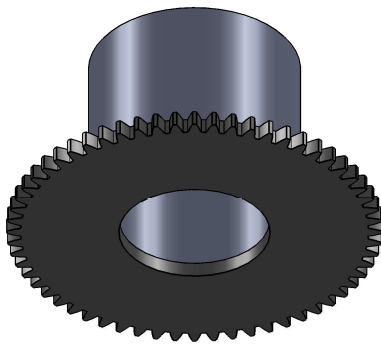
		DIMENSIONS ARE IN INCHES			NAME	DATE	
		TOLERANCES:		DRAWN			
		FRACTIONAL \pm		CHECKED			
		ANGULAR: MACH \pm BEND \pm		ENG APPR.			
		TWO PLACE DECIMAL \pm		MFG APPR.			
		THREE PLACE DECIMAL \pm		Q.A.			
		MATERIAL		COMMENTS:			
		NEXT ASSY	USED ON				
		FINISH					
		APPLICATION		DO NOT SCALE DRAWING			
<p>Soporte inferior 5/ Buje piñon</p>							
SIZE		DWG. NO.					REV.
A		eje helicoidal 1500					
SCALE:1:10			WEIGHT:			SHEET 23 OF 24	

PROPRIETARY AND CONFIDENTIAL

THE INFORMATION CONTAINED IN THIS DRAWING IS THE SOLE PROPERTY OF <INSERT COMPANY NAME HERE>. ANY REPRODUCTION IN PART OR AS A WHOLE WITHOUT THE WRITTEN PERMISSION OF <INSERT COMPANY NAME HERE> IS PROHIBITED.



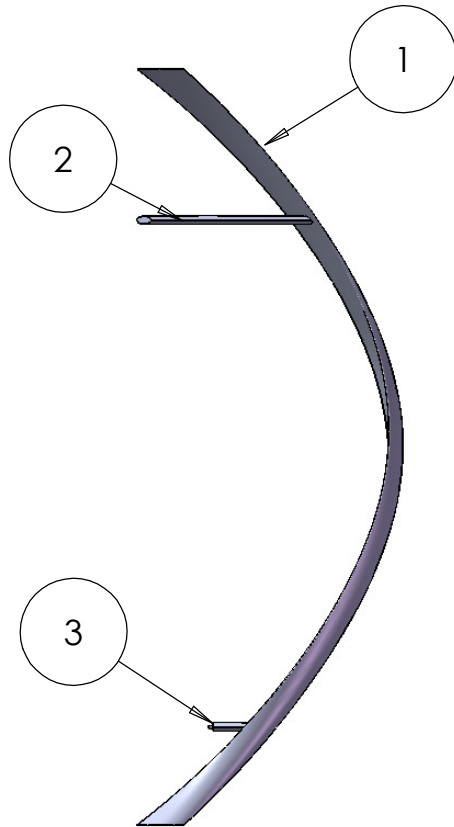
SECCIÓN A-A



		DIMENSIONS ARE IN INCHES		NAME	DATE
		TOLERANCES:		DRAWN	
		FRACTIONAL \pm		CHECKED	
		ANGULAR: MACH \pm BEND \pm		ENG APPR.	
		TWO PLACE DECIMAL \pm		MFG APPR.	
		THREE PLACE DECIMAL \pm		Q.A.	
		MATERIAL		COMMENTS:	
NEXT ASSY	USED ON	FINISH			
APPLICATION		DO NOT SCALE DRAWING		SIZE	DWG. NO.
				A eje helicoidal 1500	
				SCALE:1:10	WEIGHT:
				REV.	
				SHEET 24 OF 24	

PROPRIETARY AND CONFIDENTIAL

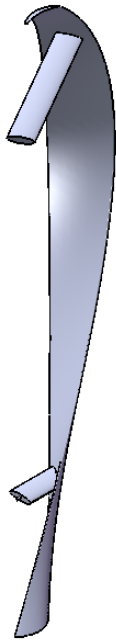
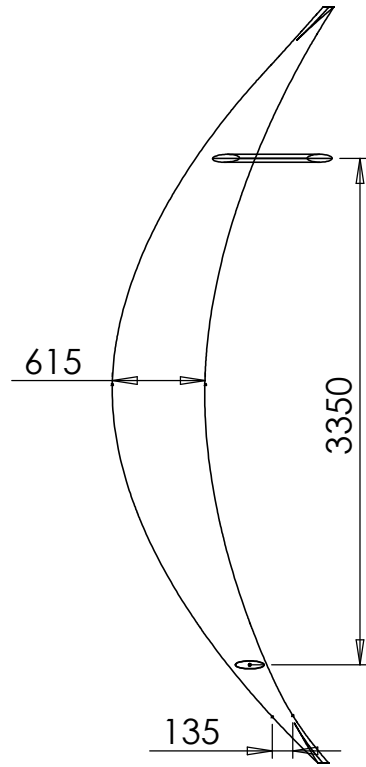
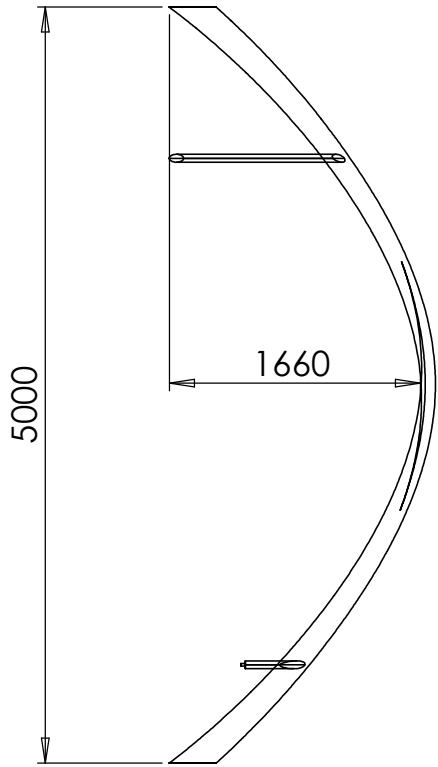
THE INFORMATION CONTAINED IN THIS DRAWING IS THE SOLE PROPERTY OF <INSERT COMPANY NAME HERE>. ANY REPRODUCTION IN PART OR AS A WHOLE WITHOUT THE WRITTEN PERMISSION OF <INSERT COMPANY NAME HERE> IS PROHIBITED.



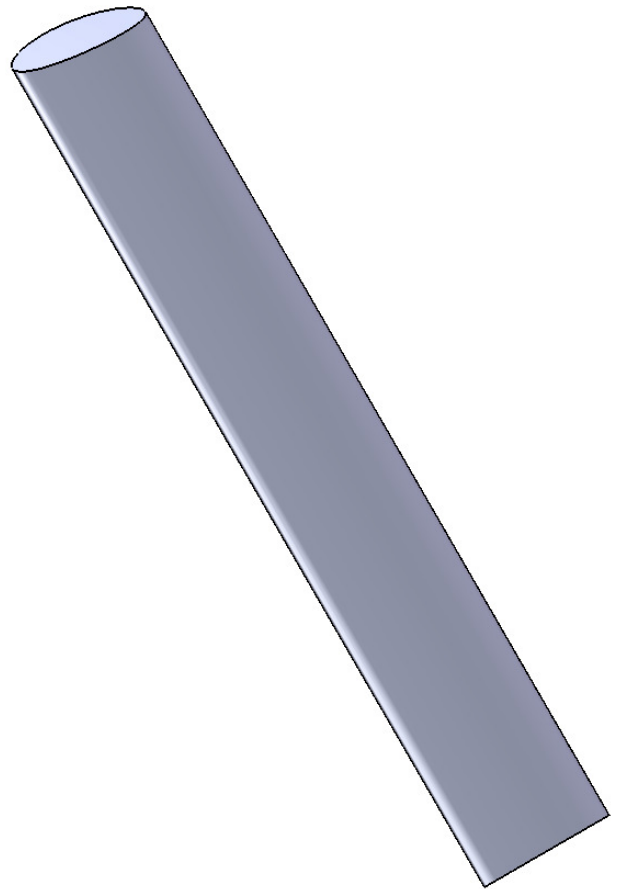
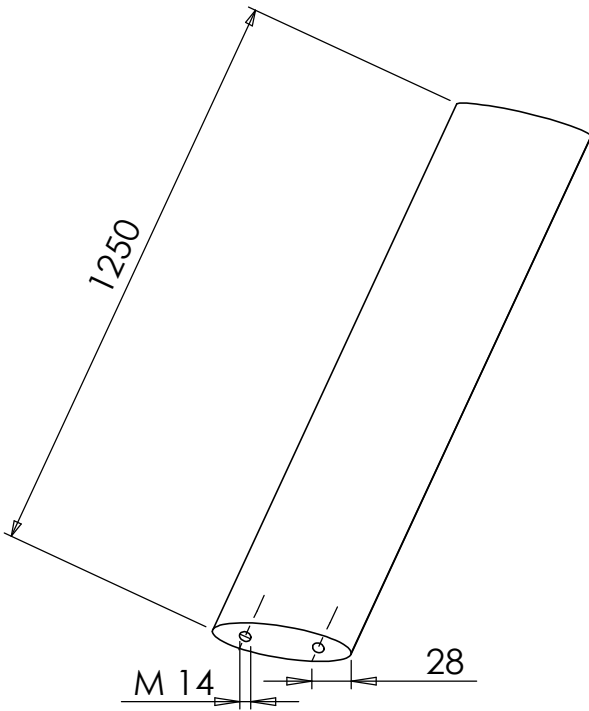
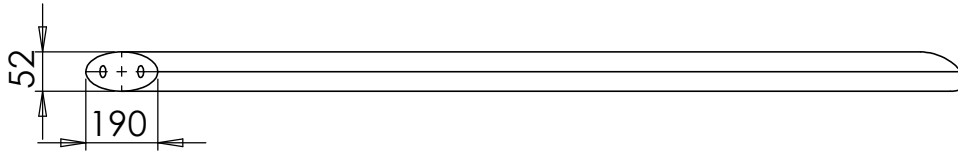
		DIMENSIONS ARE IN mm		NAME	DATE		
		TOLERANCES:		DRAWN	J.Tejero	08.02.11	<h1 style="text-align: center;">VentCat</h1> <p style="text-align: center;">(inmec.es)</p>
		FRACTIONAL ±0.1		CHECKED	J.Tejero	08.02.11	
		ANGULAR: MACH ±0.1 BEND ±0.1		ENG APPR.			
		TWO PLACE DECIMAL ±0.1		MFG APPR.			
		THREE PLACE DECIMAL ±0.1		Q.A.			
		MATERIAL		COMMENTS:			
NEXT ASSY	USED ON	FINISH					SIZE
APPLICATION		DO NOT SCALE DRAWING					DWG. NO.
							REV.
							SCALE:1:50
							WEIGHT:
							SHEET 1 OF 1

PROPRIETARY AND CONFIDENTIAL

THE INFORMATION CONTAINED IN THIS DRAWING IS THE SOLE PROPERTY OF <INSERT COMPANY NAME HERE>. ANY REPRODUCTION IN PART OR AS A WHOLE WITHOUT THE WRITTEN PERMISSION OF <INSERT COMPANY NAME HERE> IS PROHIBITED.

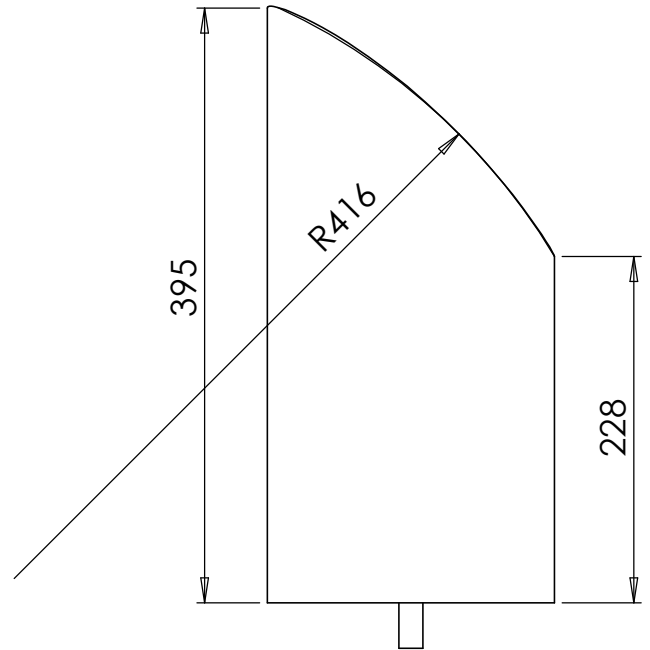
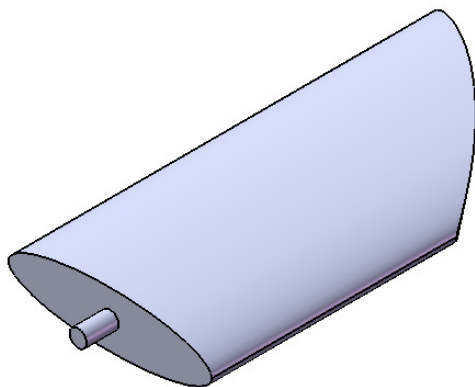
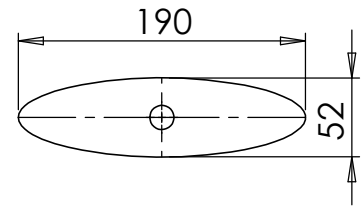
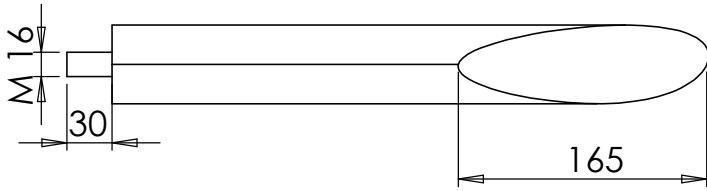


		DIMENSIONS ARE IN mm		NAME		DATE		
		TOLERANCES:		DRAWN	J. Tejero	08.02.11		
		FRACTIONAL ±		CHECKED	j.Tejero	28.02.11		
		ANGULAR: MACH ± 0.1 BEND ± 0.1		ENG APPR.				
		TWO PLACE DECIMAL ± 0.1		MFG APPR.				
		THREE PLACE DECIMAL ± 0.1		Q.A.				
		MATERIAL		COMMENTS:				
NEXT ASSY	USED ON	FINISH		1				
APPLICATION		DO NOT SCALE DRAWING						
PROPRIETARY AND CONFIDENTIAL THE INFORMATION CONTAINED IN THIS DRAWING IS THE SOLE PROPERTY OF VentCat (inmec.es). ANY REPRODUCTION IN PART OR AS A WHOLE WITHOUT THE WRITTEN PERMISSION OF VentCat (inmec.es) IS PROHIBITED.				<h1>VentCat</h1> (inmec.es)		SIZE	DWG. NO.	REV.
						A plano general_helice2		SHEET 1 OF 3
				SCALE:	WEIGHT:			

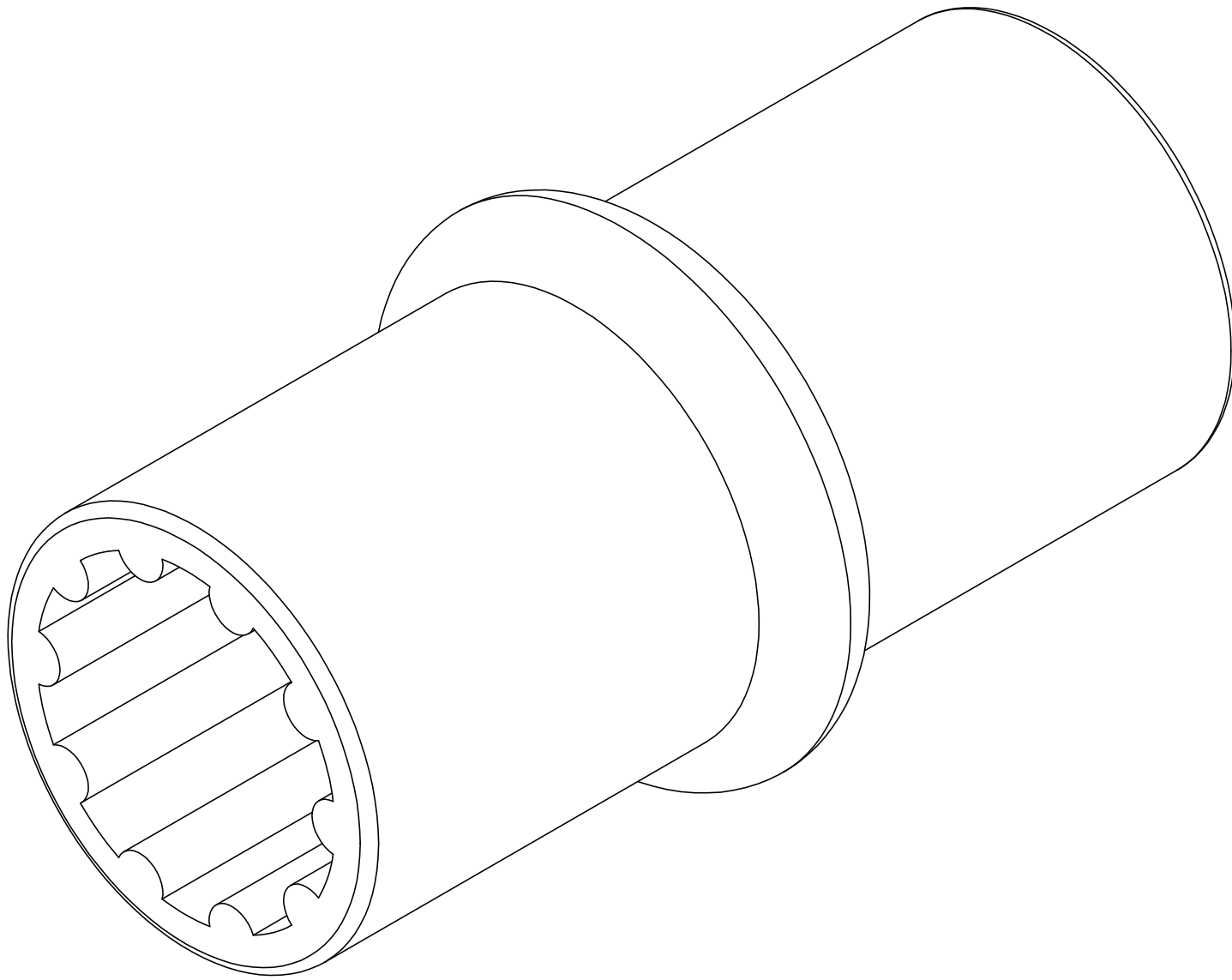


		DIMENSIONS ARE IN mm TOLERANCES: FRACTIONAL: ±0.1 ANGULAR: MACH ± 0.1 BEND ±0.1 TWO PLACE DECIMAL ±0.1 THREE PLACE DECIMAL ±0.1		NAME	DATE	<h1>VentCat</h1> <p>(inmec.es)</p>
		MATERIAL	DRAWN	J. Tejero	08.02.11	
		FINISH	CHECKED	j. Tejero	28.02.11	
			ENG APPR.			
			MFG APPR.			
NEXT ASSY		USED ON	COMMENTS:			SIZE DWG. NO.
APPLICATION		DO NOT SCALE DRAWING		<h1>2</h1>		A plano general_helice2
				SCALE:	WEIGHT:	REV.
						SHEET 2 OF 3

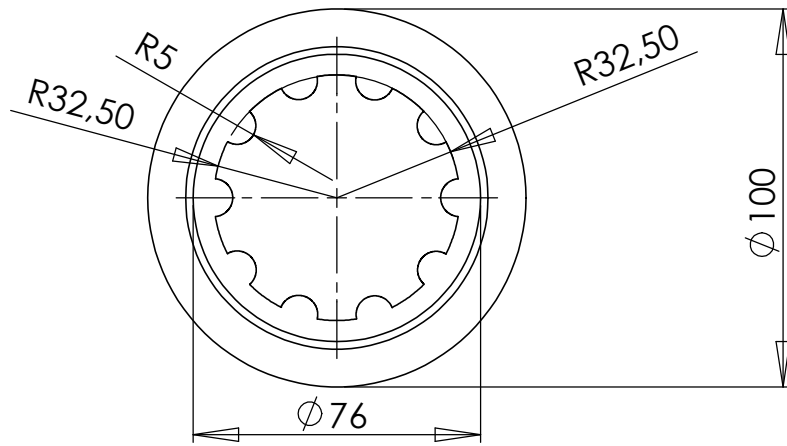
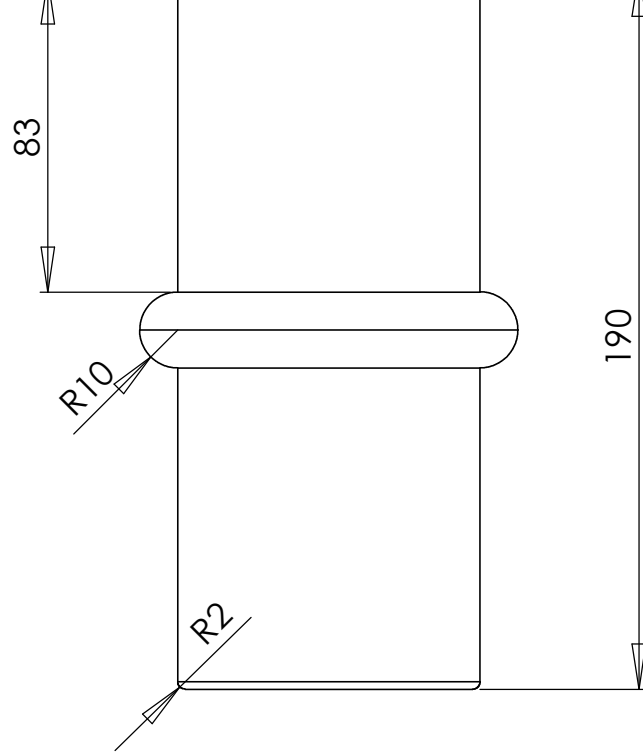
PROPRIETARY AND CONFIDENTIAL
THE INFORMATION CONTAINED IN THIS DRAWING IS THE SOLE PROPERTY OF <INSERT COMPANY NAME HERE>. ANY REPRODUCTION IN PART OR AS A WHOLE WITHOUT THE WRITTEN PERMISSION OF <INSERT COMPANY NAME HERE> IS PROHIBITED.



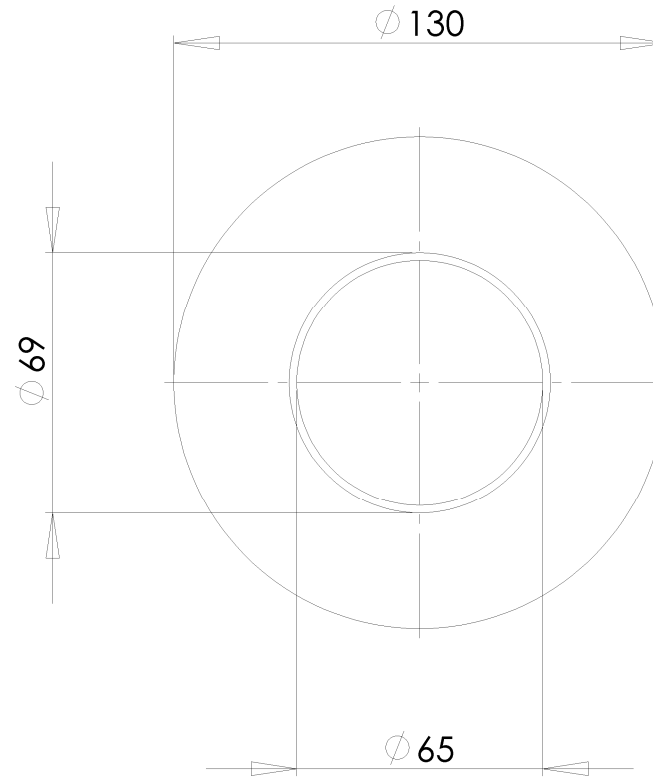
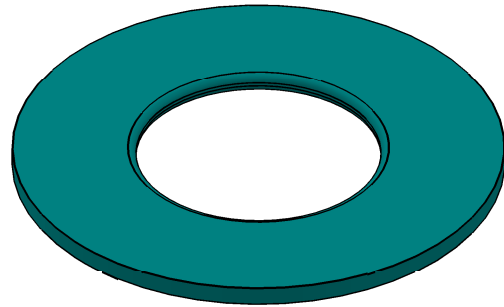
		DIMENSIONS ARE IN mm TOLERANCES: FRACTIONAL ±0.1 ANGULAR: MACH ±0.1 BEND ±0.1 TWO PLACE DECIMAL ±0.1 THREE PLACE DECIMAL ±0.1		NAME	DATE	<h1>VentCat</h1> <p>(inmec.es)</p>
		MATERIAL	DRAWN	J. Tejero	08.02.11	
		FINISH	CHECKED	j. Tejero	28.02.11	
NEXT ASSY	USED ON		ENG APPR.			
APPLICATION		DO NOT SCALE DRAWING	MFG APPR.			
<p>PROPRIETARY AND CONFIDENTIAL</p> <p>THE INFORMATION CONTAINED IN THIS DRAWING IS THE SOLE PROPERTY OF <INSERT COMPANY NAME HERE>. ANY REPRODUCTION IN PART OR AS A WHOLE WITHOUT THE WRITTEN PERMISSION OF <INSERT COMPANY NAME HERE> IS PROHIBITED.</p>			COMMENTS:		SIZE	
			<h1>3</h1>		DWG. NO.	
					<p>A plano general_helice2</p>	
			SCALE:	WEIGHT:	SHEET 3 OF 3	



		DIMENSIONS ARE IN INCHES		NAME	DATE	
		TOLERANCES:	DRAWN			
		FRACTIONAL ±	CHECKED			



		DIMENSIONS ARE IN INCHES		NAME	DATE
		TOLERANCES:		DRAWN	
		FRACTIONAL ±		CHECKED	



		DIMENSIONS ARE IN INCHES		NAME	DATE
		TOLERANCES:		DRAWN	
		FRACTIONAL ±		CHECKED	



BIBLIOGRAFIA

- www.made.es MADE Tecnologías Renovables, S.A.
- www.gamesa.es GAMESA
- www.idae.es Instituto para la Diversificación y Ahorro de la Energía.
- www.cener.com Centro Nacional de Energías Renovables.
- www.ciemat.es Centro de Investigaciones Energéticas, Medioambientales y Tecnológicas.
- www.appa.es Asociación de Productores de Energías Renovables.
- www.windpower.org Danish Wind Industry Association (Dinamarca).
- <http://www.risoe.dk/vea/index.htm> Risø National Laboratory, Wind Energy Department (Dinamarca).
- www.afm.dtu.dk/wind Technical University of Denmark (Dinamarca).
- www.vestas.com Vestas Wind Systems (Dinamarca).
- www.lmglassfiber.com LM Glasfiber (Dinamarca).
- www.anev.org Associazione Nazionale Energia del Vento (Italia).
- www.anemon.it Anemon S.p.a. (Italia).
- www.fera-co.com Fabbrica Energie Rinnovabili Alternative (Italia).
- www.awea.org American Wind Energy Association (EEUU).
- www.nrel.gov/wind National Wind Technology Center (EEUU).
- www.ewea.org European Wind Energy Association (Europa).
- www.wind-energie.de Bundesverband WindEnergie e.V. (Alemania).
- www.yes2wind.com Ecología (WWF, Greenpeace, Friends of the Earth).
- www.energetica21.com/eol.html Revista Energética.
- www.abb.es Generadores para molinos de viento.

En esta bibliografía hay que incluir los tomos de AUDITARIA SALUD.